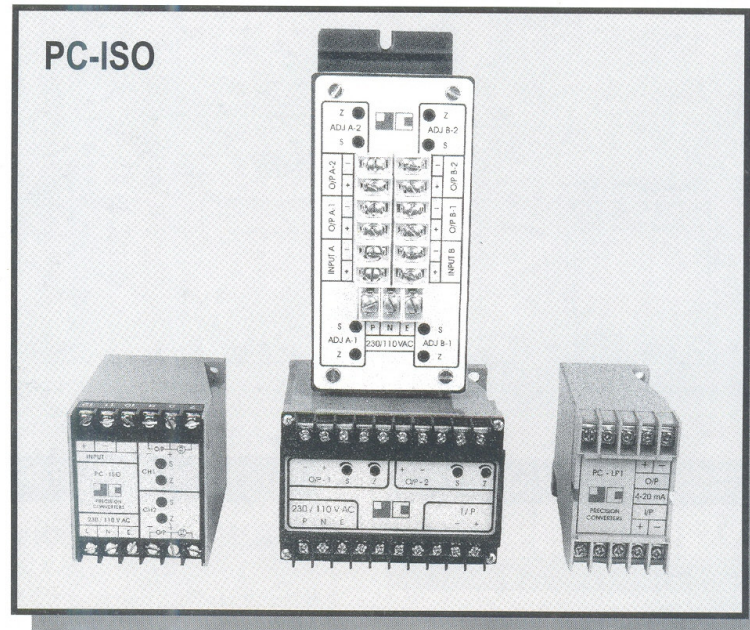


SIGNAL ISOLATOR



Features

- ❖ Ruggedised, field proven performance with complete design flexibility.
- ❖ Multiple options for types of Input & Output.
- ❖ Single / multichannel output.
- ❖ 1.5 kV peak isolation between I/P and O/P as well as Between outputs.
- ❖ Multiple functions - signal conversion, signal Isolation, signal repeater.
- ❖ Loop powered version available.

Description

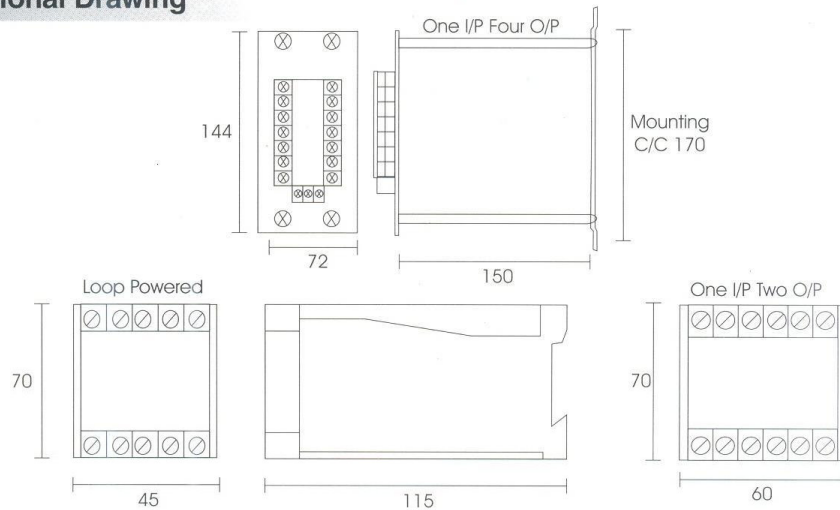
Signal Isolator model **PC-ISO** is a highly reliable, accurate input- output isolator with fully flexib design approach. **PC-ISO** accepts AC/DC voltage or, AC/DC currents as input and provide ou in form of DC current or voltage in any specified range (standard range is 4-20mA).

Rugged electronics of **PC-ISO** Signal Isolator provides galvanic and optical isolation of 1.5 kV which is 3 to 4 times higher than conventional isolators. The isolation is provided between input and output and between outputs in case of multi- output versions.

PC-ISO is available in 1 input- 1 output to 1 input - 4 output configurations. Transmitter power supply of 24 VDC, 30 mA is available as an option. Thus in case of loop powered transmitters, need of separet power supply pack is eliminated.

PC-ISO is also available in loop powered version. Loop powered isolator extracts power from loop and provides isolated 4-20 mA signal. Unit is ideal to save wiring costs.

Dimensional Drawing



All dimensions are in m.m.

ORDERING INFORMATION							
PC-ISO	1	2	3	4	5	6	
	1	Control Supply					
		A 230 V AC B 110 V AC C 24 V DC					
	2	Input					
		A 4-20mA DC B 0-20mA DC C Frequency D AC/DC voltage (please specify voltage range) E AC current through C.T.					
	3	Output					
		A 4-20mA DC B 0-20mA DC C 1-5 V DC					
	4	Type					
		A 1 I/P, 1 O/P B 1 I/P, 2 O/P C 1 I/P, 3 O/P D 1 I/P, 4 O/P E Loop Powered					
	5	24 V DC TX Supply					
		A Required B Not Required					
	6	Mounting					
		A Din Rail / Back of Panel B Field mtg weather proof					

TECHNICAL SPECIFICATION	
Power Supply	230/110 V AC, ± 10% 24 V DC, 300 mA
Input	4-20 mA or 0-20 mA Frequency or AC/DC voltage or AC current through C. T.
Output	4-20 mA or 0-20mA (load 600 ohms max.) 1-5 V DC / 0-10 V DC (5mA max.) Loop burden 250 ohms for Loop Powered Isolator.
No. Of O/P Channels	1 to 4
Isolation	1.5 kV peak, 500 V for loop powered
Enclosure	DIN Rail/ Back of panel field mounting weather proof
Accuracy	0.3% of F.S.
Operating Temp.	5 to 55°C
Amb.Temp. Effect	300ppm
Options	24 V DC, 30mA Tx supply

S A ELECTRONIC

15 D, 4th Floor, Sager Corner, Near Nashik Phata, Kasarwadi,
Pune - 411034 Tel. : 27111582 Telefax : 020 - 27111583

E-mail : saelectronics@vsnl.net

Visit us at : www.saelectro.com