



Pressure - Process pressure

Overview	126
VEGABAR 14, 17	128
VEGABAR 42	132
VEGABAR 52, 53, 54	134
Accessory	140
Dimensions	142

VEGABAR 10/40/50:



VEGABAR series 10/40/50 pressure transmitters are developed for process pressure measurement of liquids, gases and abrasive products. Application-optimised housings and materials ensure the universal use even under arduous conditions. The main point are the small process fittings from ½" to 1". In addition, VEGABAR series 50 pressure transmitters offer maximum adjustment and indication comfort. VEGABAR 42 pressure transmitters are suitable for easy process pressure measurement. Easy adjustment, terminal connection and optional display characterise this instrument. VEGABAR 14 and VEGABAR 17 pressure transmitters complete the range for standard applications. Depending on the application, you can choose between intrinsically safe, highly overload resistant, flush instruments or versions for high pressure measuring ranges.

Ceramic-capacitive measuring cells Measuring range -1...60 bar

- dry measuring cell
- very high overload resistance
- very good abrasion resistance



Piezoresistive measuring cell Measuring range -1...16 bar

- flush diaphragm
- elastomer-free
- small process fittings



Thin film DMS measuring cell Measuring range 25...600 bar

- welded measuring cell
- high long-term stability
- dry measuring cell



Overview

VEGABAR 14



VEGABAR 17



VEGABAR 42



Measuring cell: CERTEC®
high overload resistance
Measuring range: -1...60 bar
Deviation in characteristics: 0.5
Application: engineering

Piezoresistive/thin film-DMS
flush
-1...600 bar
0.5
engineering

CERTEC®
high overload resistance
-1...60 bar
0.2
process pressure measurements of gases, vapours and liquids

Replacement for:

VEGABAR 15

VEGABAR 40

VEGABAR 52



VEGABAR 53



VEGABAR 54



Measuring cell: CERTEC®
high overload resistance
Measuring range: -1...60 bar
Deviation in characteristics: 0.075
Application: measurement of gases, vapours and liquids in pipelines

Piezoresistive/thin film-DMS
flush measuring cell possible
-1...600 bar
0.15
measurement of gases, vapours and viscous liquids up to 600 bar

CERTEC®
high overload resistance
-1...60 bar
0.1
measurement of abrasive and viscous liquids

Replacement for:

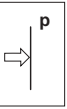
VEGABAR 40/D80



VEGABAR 14**Process pressure transmitter with CERTEC®**

Suitable for pressure measurements of gases, vapours and liquids

- dry, ceramic-capacitive sensor element
- 4...20mA two-wire system with a supply voltage of 12...30V DC
- characteristic deviation 0.5%
- long-term stability 0.1%/2 years



Approval

- X** without
- Z** Ex Zone2

Pressure/Measuring range

- 1S** Gauge pressure/0...0.1 bar(0...10 kPa)
- 1T** Gauge pressure/0...0.25 bar(0...25 kPa)
- 1U** Gauge pressure/0...0.4 bar(0...40 kPa)
- 1V** Gauge pressure/0...0.6 bar(0...60 kPa)
- 1A** Gauge pressure/0...1 bar(0...100 kPa)
- 1B** Gauge pressure/0...1.6 bar(0...160 kPa)
- 1C** Gauge pressure/0...2.5 bar(0...250 kPa)
- 1D** Gauge pressure/0...4 bar(0...400 kPa)
- 1E** Gauge pressure/0...6 bar(0...600 kPa)
- 1F** Gauge pressure/0...10 bar(0...1000 kPa)
- 1G** Gauge pressure/0...16 bar(0...1600 kPa)
- 1H** Gauge pressure/0...25 bar(0...2500 kPa)
- 1I** Gauge pressure/0...40 bar(0...4000 kPa)
- 1J** Gauge pressure/0...60 bar(0...6000 kPa)
- 3T** Gauge pressure/-0.1...+0.1 bar(-10...+10 kPa)
- 3U** Gauge pressure/-0.2...+0.2 bar(-20...+20 kPa)
- 3A** Gauge pressure/-0.5...+0.5 bar(-50...+50 kPa)
- 3B** Gauge pressure/-1...+0.6 bar(-100...+60 kPa)
- 3W** Gauge pressure/-1...+1 bar(-100...+100 kPa)
- 3C** Gauge pressure/-1...+1.5 bar(-100...+150 kPa)
- 3D** Gauge pressure/-1...+3 bar(-100...+300 kPa)
- 3E** Gauge pressure/-1...+5 bar(-100...+500 kPa)
- 3F** Gauge pressure/-1...+9 bar(-100...+900 kPa)
- 3G** Gauge pressure/-1...+15 bar(-100...+1500 kPa)
- 2A** Abs.pressure/0...1 bar(0...100kPa)
- 2B** Abs.pressure/0...1.6 bar(0...160kPa)
- 2C** Abs.pressure/0...2.5 bar(0...250kPa)
- 2D** Abs.pressure/0...4 bar(0...400kPa)
- 2E** Abs.pressure/0...6 bar(0...600kPa)
- 2F** Abs.pressure/0...10 bar(0...1000kPa)
- 2G** Abs.pressure/0...16 bar(0...1600kPa)

Electrical connection/Protection

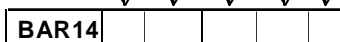
- A1** 4-pole plug connection DIN43650-A PG9/IP65
- C1** Direct cable outlet with 5 m cable/IP67
- M1** Circular plug conn.,4-pole w.screwed plug M12x1/IP65

Process connection/Material

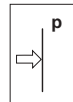
- GV** G $\frac{1}{2}$ A,manometer connec. EN837 PN60 /316Ti
- GP** G $\frac{1}{2}$ A inner G $\frac{1}{4}$ A PN60/316Ti
- GN** $\frac{1}{2}$ NPT inner $\frac{1}{4}$ NPT PN60/316Ti
- GB** M20x1,5 manometer connection EN837 PN60/316Ti

Seal measuring cell

- 1** Viton
- 3** EPDM



- Customer-specific factory setting on request
- Further process fittings and options on request



VEGABAR 17

Process pressure transmitter with metal sensor

Suitable for pressure measurements of gases, vapours and liquids

- two-wire system 4...20 mA with a power supply of 10...30V DC
- characteristic deviation 0.5%



Approval

- Z** without
- G** Ship approval
- A** ATEX II 1/2G, 2G EEx ia IIC T6
- D** ATEX II 1/2G, 2G EEx ia IIC T6+ATEX II 1/2D IP6X T+M1¹⁾
- S** ATEX II 1/2G, EEx ia IIC T6 + Ship approval

Process connection

- 84L** Thread G1B, hygienic/316Ti, max.25 bar/Viton²⁾
- 84B** Thread G1B, hygienic/316Ti, max.25 bar/EPDM²⁾
- 851** Thread G1B, flush/316Ti w.o-ring, up to 1.6bar/NBR
- 85L** Thread G1B, flush/316Ti w.o-ring, up to 1.6bar/Vit
- 85B** Thread G1B, flush/316Ti w.o-ring, up to 1.6bar/EPDM
- 861** Thread G½B, flush/316Ti w. o-ring, >1,6 bar/NBR
- 86L** Thread G½B, flush/316Ti w. o-ring, >1.6 bar/Viton
- 86B** Thread G½B, flush/316Ti w.o-ring, >1.6 bar/EPDM
- GBX** G¼B manometer connection/316Ti
- GDX** G½B, manometer connection/316Ti
- NBX** Thread ¼NPT/316Ti
- NDX** Thread ½NPT/316Ti

Pressure

- B** Gauge pressure
- S** Absolute pressure³⁾

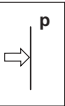
Continuation see next page

VEGABAR 42

Process pressure transmitter with inner CERTEC®

Suitable for pressure measurements of gases, vapours and liquids

- characteristic deviation 0.2%
- dry, ceramic-capacitive sensor element
- adjustable zero point/span
- shock-resistant PBT plastic housing/ protection IP65



Approval

- XX** without
- XM** Ship approval
- CX** ATEX II 1G, 1/2G, 2G EEx ia IIC T6
- CA** ATEX II 1G, 1/2G, 2G EEx ia IIC T6 + WHG
- CM** ATEX II 1G, 1/2G, 2G EEx ia IIC T6 + Ship approval

Process connection/Material

- GV** G½A, manometer connection EN837 PN160/316L
- GP** G½A inner G¼A PN160/316L
- GN** ½NPT inner ¼NPT PN160/316L

Seal measuring cell

- 1** Viton
- 2** Kalrez 6375
- 3** EPDM

Pressure/Measuring range

- K** rel./-0.05...0.05bar (-5...5kPa)
- L** rel./-0.1...0.1bar (-10...10kPa)
- M** rel./-0.2...0.2bar (-20...20kPa)
- O** rel./-0.5...0.5bar (-50...50kPa)
- P** rel./-1...0.0bar (-100...0kPa)
- Q** rel./-1...1.5bar (-100...150kPa)
- R** rel./-1...5.0bar (-100...500kPa)
- S** rel./-1...10.0bar (-100...1000kPa)
- T** rel./-1...25.0bar (-100...2500kPa)
- W** rel./-1...60.0bar (-100...6000kPa)
- A** rel./0...0.1bar (0...10kPa)
- B** rel./0...0.2bar (0...20kPa)
- C** rel./0...0.4bar (0...40kPa)
- D** rel./0...1.0bar (0...100kPa)
- E** rel./0...2.5bar (0...250kPa)
- F** rel./0...5.0bar (0...500kPa)
- G** rel./0...10.0bar (0...1000kPa)
- H** rel./0...25.0bar (0...2500kPa)
- U** rel./0...60.0bar (0...6000kPa)
- 1** abs./0...1.0bar (0...100kPa)
- 2** abs./0...2.5bar (0...250kPa)
- 3** abs./0...5.0bar (0...500kPa)
- 4** abs./0...10.0bar (0...1000kPa)
- 5** abs./0...25.0bar (0...2500kPa)

Electronic version

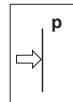
- Z** 4...20mA
- H** 4...20mA HART®

Indication

- X** without
- A** mounted

BR42.									
--------------	--	--	--	--	--	--	--	--	--

- Customer-specific factory setting on request
- Further process fittings and options on request



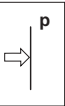
VEGABAR 52

Pressure transmitter with inner CERTEC®

Suitable for pressure measurements of gases, vapours and liquids



- extremely overload resistant
- characteristic deviation 0.075%
- dry, ceramic-capacitive sensor element
- longterm stability 0.1%/2 years
- dry adjustment via PLICSCOM
- instrument from the plics® family



Approval

XX	without
XM	Ship approval
CX	ATEX II 1G, 1/2G, 2G EEx ia IIC T6
CA	ATEX II 1G, 1/2G, 2G EEx ia IIC T6 + WHG
CM	ATEX II 1G, 1/2G, 2G EEx ia IIC T6 + Ship approval
DX	ATEX II 1/2G, 2G EEx d ia IIC T6 ¹⁾

Continuation see next page

Process connection/Material

- GV** G $\frac{1}{2}$ A,manometer connec. EN837 PN160/316L
- GT** G $\frac{1}{2}$ A,manometer connect. PN160, axially sealing /316L
- GC** G $\frac{1}{2}$ A,manometer connec./Hastelloy
- GP** G $\frac{1}{2}$ A inner G $\frac{1}{4}$ A PN160/316L
- GS** G $\frac{1}{2}$ A inner G $\frac{1}{4}$ A PN10/PVDF
- GN** $\frac{1}{2}$ NPT inner $\frac{1}{4}$ NPT PN160/316L
- GB** M20x1.5 manometer connection EN837 PN160/316L

Seal measuring cell

- 1** Viton
- 2** Kalrez 6375
- 3** EPDM

Pressure/Measuring range

- K** rel./-0.05...0.05bar (-5...5kPa)
- L** rel./-0.1...0.1bar (-10...10kPa)
- M** rel./-0.2...0.2bar (-20...20kPa)
- O** rel./-0.5...0.5bar (-50...50kPa)
- P** rel./-1...0.0bar (-100...0kPa)
- Q** rel./-1...1.5bar (-100...150kPa)
- R** rel./-1...5.0bar (-100...500kPa)
- S** rel./-1...10.0bar (-100...1000kPa)
- H** rel./-1...25.0bar (-100...2500kPa)
- V** rel./-1...60.0bar (-100...6000kPa)
- A** rel./0...0.1bar (0...10kPa)
- B** rel./0...0.2bar (0...20kPa)
- C** rel./0...0.4bar (0...40kPa)
- D** rel./0...1.0bar (0...100kPa)
- E** rel./0...2.5bar (0...250kPa)
- F** rel./0...5.0bar (0...500kPa)
- G** rel./0...10.0bar (0...1000kPa)
- T** rel./0...25.0bar (0...2500kPa)
- W** rel./0...60.0bar (0...6000kPa)
- 1** abs./0...1.0bar (0...100kPa)
- 2** abs./0...2.5bar (0...250kPa)
- 3** abs./0...5.0bar (0...500kPa)
- 4** abs./0...10.0bar (0...1000kPa)
- 5** abs./0...25.0bar (0...2500kPa)

Electronics

- H** 4...20mA HART®
- P** Profibus PA
- F** Foundation Fieldbus

Housing/Protection

- K** Plastic/IP66/IP67
- A** Aluminium/IP66/IP67
- D** Aluminium double chamber/IP66/IP67
- V** Stainless steel 316L/IP66/IP67

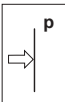
Cable entry/Plug connection

- M** M20x1.5/without
- N** $\frac{1}{2}$ NPT/without

Indication-adjustment module (PLICSCOM)

- X** without
- A** top mounted

BR52.										
-------	--	--	--	--	--	--	--	--	--	--



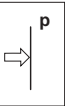
¹⁾ Only in conjunction with housing version "D"
 • Further process fittings and options on request
 • Customer-specific factory setting – free of charge –

VEGABAR 53

Pressure transmitter with metal sensor

Suitable for pressure measurements of gases, vapours and liquids

- characteristic deviation 0.15%
- application-optimised instrument design
- process fitting acc. to EN837 or flush acc. to ISO228
- dry adjustment via PLICSCOM
- instrument from the plics® family

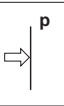


VEGABAR 54

Pressure transmitter with flush CERTEC

For level and pressure measurement in paper, water and waste water

- characteristic deviation 0.1%
- dry, ceramic-capacitive sensor element
- abrasion-resistant by CERTEC
- highly overload resistant
- instrument from the plics® family



Approval

- XX** without
- XM** Ship approval
- CX** ATEX II 1G, 1/2G, 2G EEx ia IIC T6
- CA** ATEX II 1G, 1/2G, 2G EEx ia IIC T6 + WHG
- CM** ATEX II 1G, 1/2G, 2G EEx ia IIC T6 + Ship approval
- DX** ATEX II 1/2G, 2G EEx d ia IIC T6¹⁾

Process connection/Material

- GB** Thread G½A flush PN60/316L
- GA** Thread G¾A completely flush PN60/316L
- GC** Thread G1A completely flush PN60/316L
- VP** Thread G1A for PASVE PN40/316L

Continuation see next page

Seal measuring cell

- 1 Viton
- 2 Kalrez 6375
- 3 EPDM

Pressure/Measuring range

- K** rel./-0.05...0.05bar (-5...5kPa)
- L** rel./-0.1...0.1bar (-10...10kPa)
- M** rel./-0.2...0.2bar (-20...20kPa)
- O** rel./-0.5...0.5bar (-50...50kPa)
- P** rel./-1...0.0bar (-100...0kPa)
- Q** rel./-1...1.5bar (-100...150kPa)
- R** rel./-1...5.0bar (-100...500kPa)
- S** rel./-1...10.0bar (-100...1000kPa)
- T** rel./-1...25.0bar (-100...2500kPa)
- W** rel./-1...60.0bar (-100...6000kPa)
- A** rel./0...0.1bar (0...10kPa)
- B** rel./0...0.2bar (0...20kPa)
- C** rel./0...0.4bar (0...40kPa)
- D** rel./0...1.0bar (0...100kPa)
- E** rel./0...2.5bar (0...250kPa)
- F** rel./0...5.0bar (0...500kPa)
- G** rel./0...10.0bar (0...1000kPa)
- T** rel./0...25.0bar (0...2500kPa)
- V** rel./0...60.0bar (0...6000kPa)
- 1** abs./0...1.0bar (0...100kPa)
- 2** abs./0...2.5bar (0...250kPa)
- 3** abs./0...5.0bar (0...500kPa)
- 4** abs./0...10.0bar (0...1000kPa)
- 5** abs./0...25.0bar (0...2500kPa)
- 7** abs./0...60.0bar (0...6000kPa)

Electronics

- H** 4...20mA HART®
- P** Profibus PA
- F** Foundation Fieldbus

Housing/Protection

- K** Plastic/IP66/IP67
- A** Aluminium/IP66/IP67
- D** Aluminium double chamber/IP66/IP67
- V** Stainless steel 316L/IP66/IP67
- T** PE-cable axial IP68, ext. housing plastic IP65²⁾
- U** PE-cable axial IP68, ext. housing 316L IP65²⁾

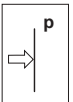
Cable entry/Plug connection

- M** M20x1.5/without
- N** ½NPT/without

Indication-adjustment module (PLICSCOM)

- X** without
- A** top mounted

BR54.									
-------	--	--	--	--	--	--	--	--	--



¹⁾ Only in conjunction with housing version "D"
²⁾ 6 m PE-cable with capillaries incl. wall and rail mounting set

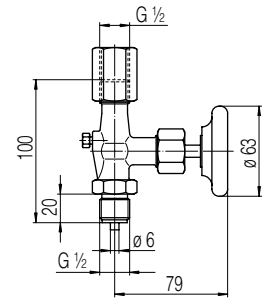
Cable length in m

per additional 100 mm PE cable

- Further process fittings and options on request
- Customer-specific factory setting – free of charge –

Blocking valve form A with tension sleeve

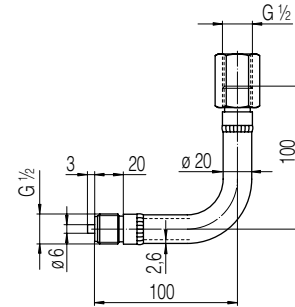
- stainless steel Article no. 2.20057
- steel Article no. 2.20056



Manometer connection tube

Quadrant pipe 90°;
with connection G $\frac{1}{2}$ A and tension sleeve

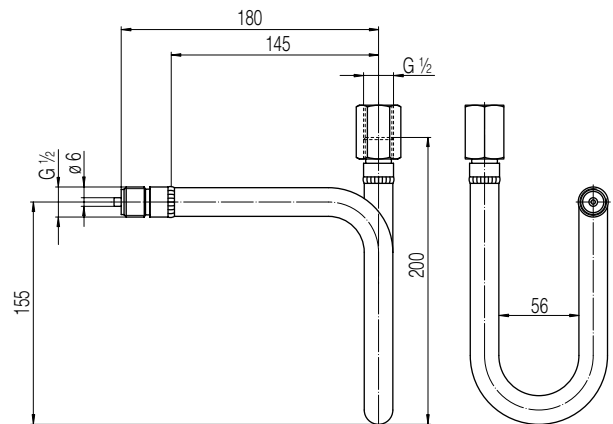
- stainless steel Article no. 2.24480



Siphon in U-Form

for horizontal pressure extraction
with connection G $\frac{1}{2}$ A and tension sleeve

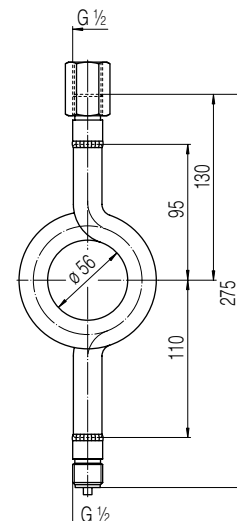
- stainless steel Article no. 2.19993
- steel Article no. 2.19991



Siphon in circular form

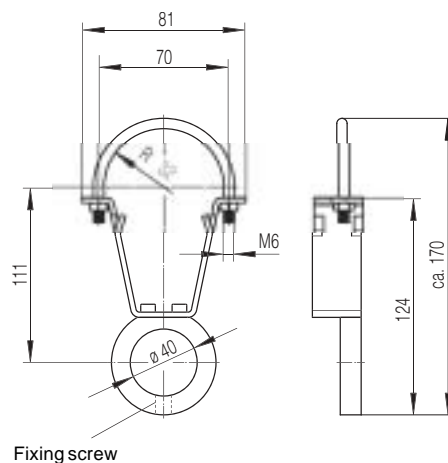
for vertical pressure extraction
with connection G $\frac{1}{2}$ A and tension sleeve

- stainless steel Article no. 2.19994
- steel Article no. 2.19992



Measuring instrument holder for wall-tube mounting¹⁾

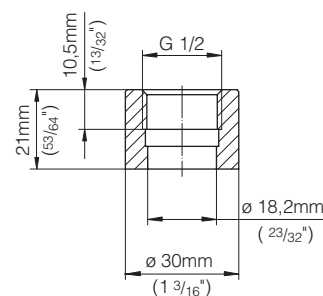
- stainless steel Article no. BARMONT.A



¹⁾ for VEGABAR 42, 52 and 53

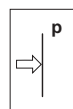
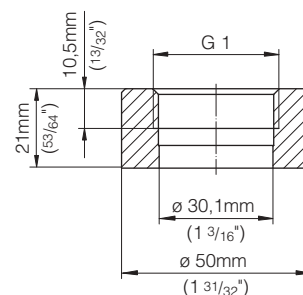
Welded socket for VEGABAR 17 and VEGABAR 53

- suitable for process fitting
G $\frac{1}{2}$ B/316 L Article no. 2.28673



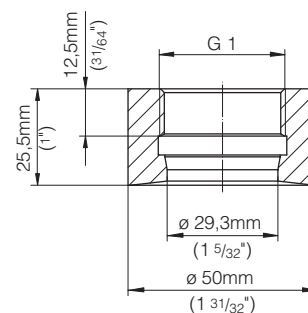
Welded socket for VEGABAR 17 and VEGABAR 53

- suitable for process fitting
G1B/316 L Article no. 2.27867

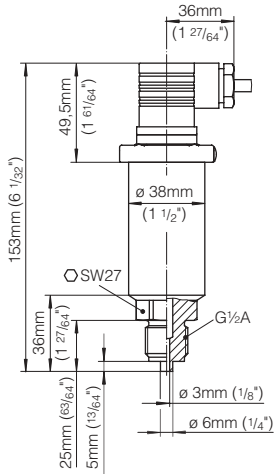


Welded socket for VEGABAR 17 and VEGABAR 53

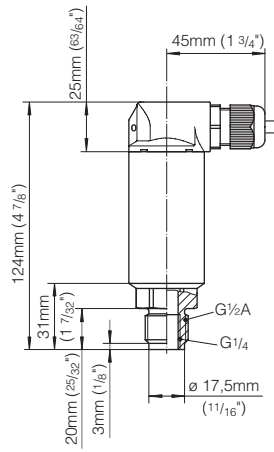
- suitable for process fitting G1B
flush; hygienic/316 L Article no. 2.27868



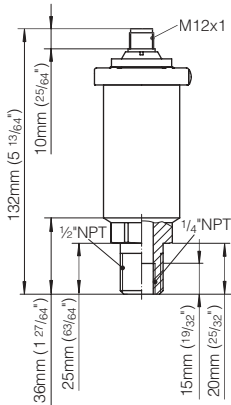
VEGABAR 14



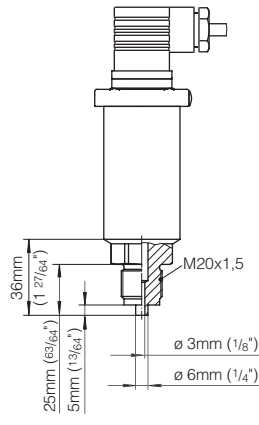
GV



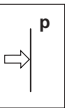
GP



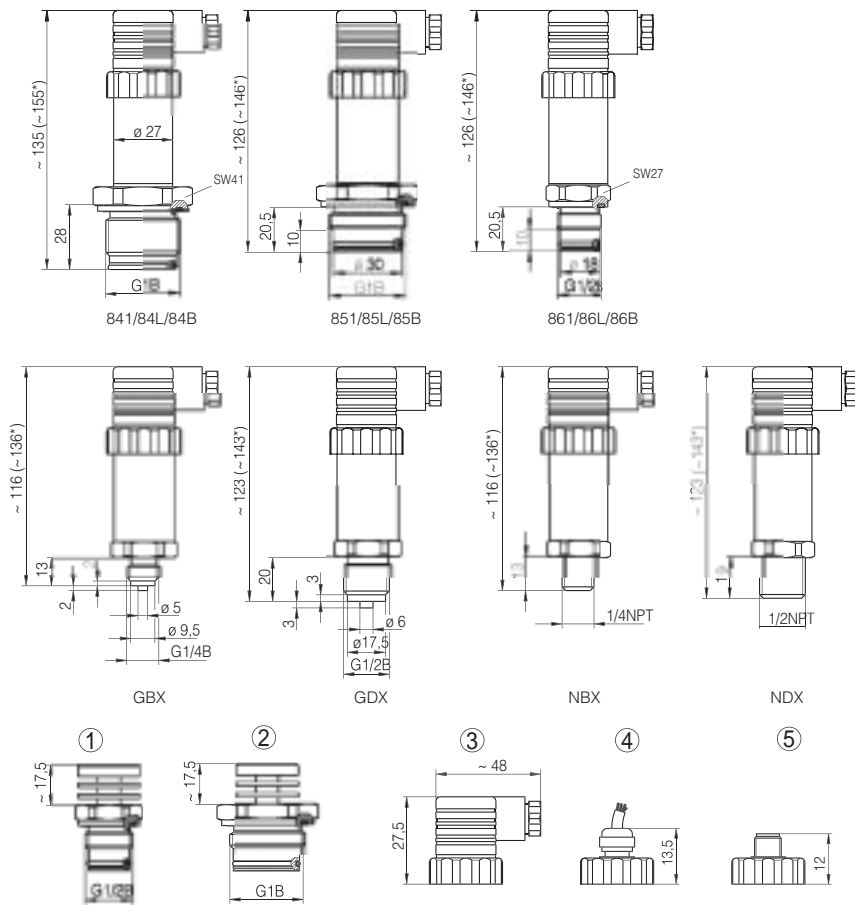
GN



GB



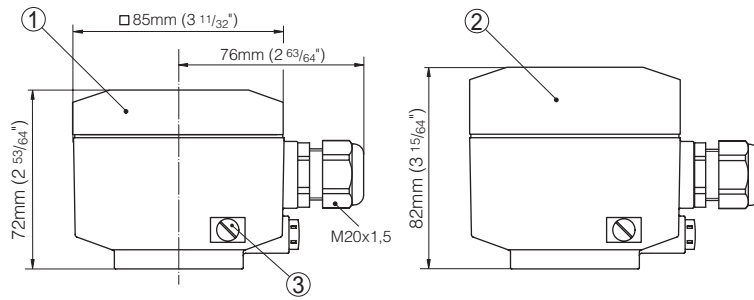
VEGABAR 17



- 1 Cooling element G1/2B
- 2 Cooling element G1B
- 3 Plug acc. to DIN 43650A
- 4 Cable outlet
- 5 Plug M12x1

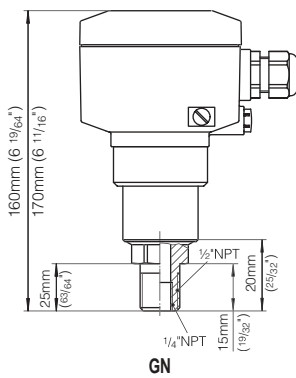
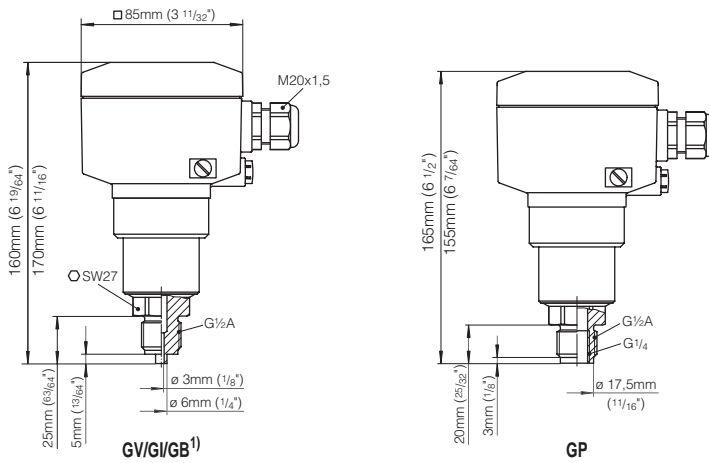


Plastic housing

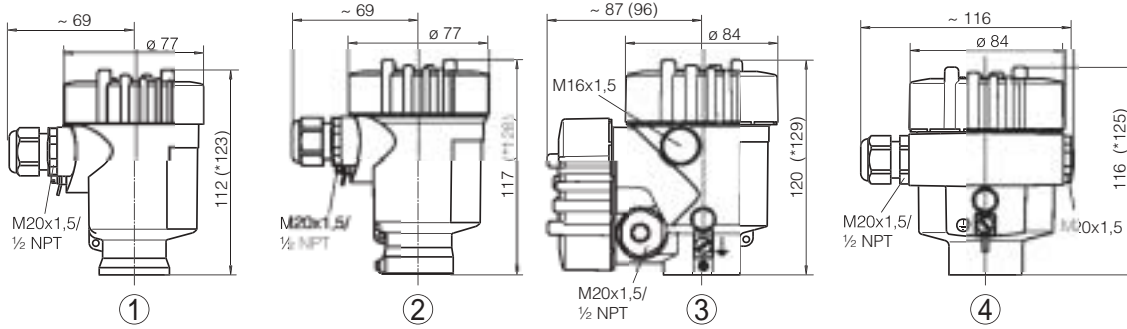


- 1 without display
- 2 with display
- 3 Ground connection

VEGABAR 42

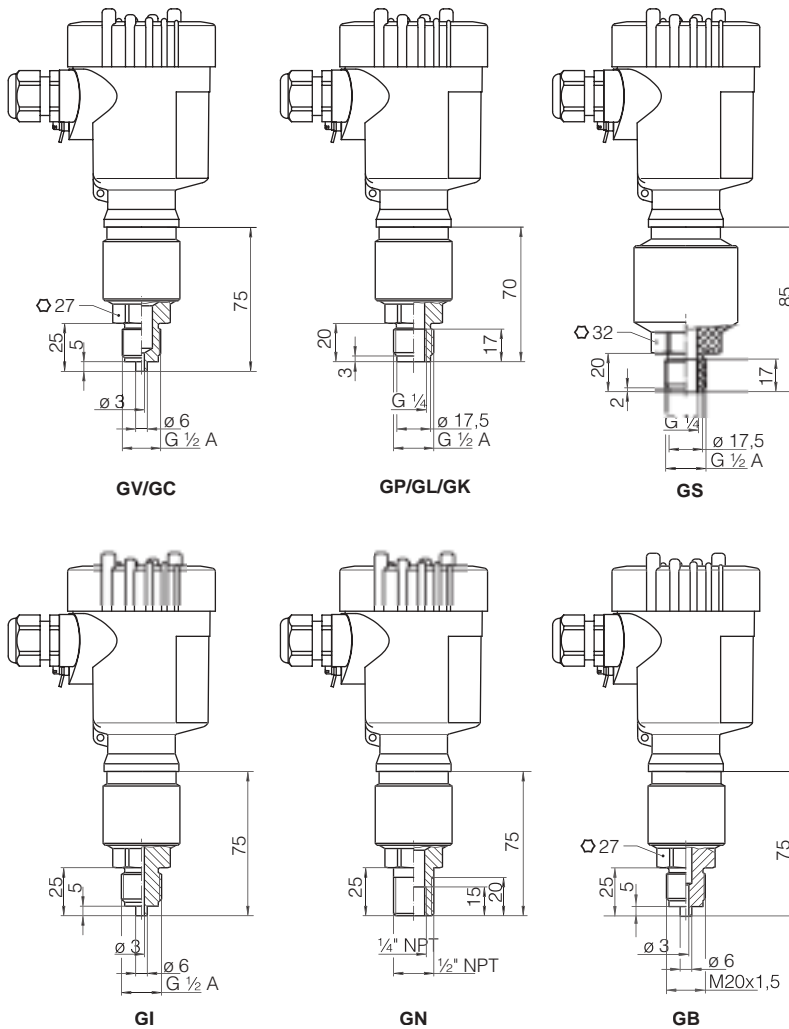


Housings

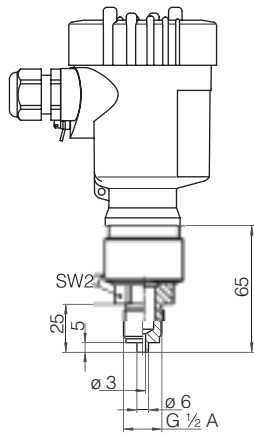


- 1 Plastic housing (* dimension with integrated PLICSCOM)
- 2 Stainless steel housing (* dimension with integrated PLICSCOM)
- 3 Aluminium double chamber housing (* dimension with integrated PLICSCOM)
- 4 Aluminium housing (* dimension with integrated PLICSCOM)

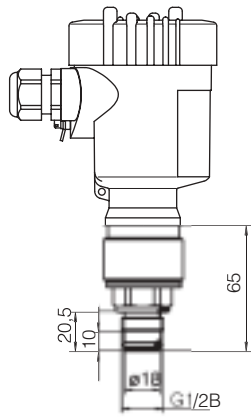
VEGABAR 52



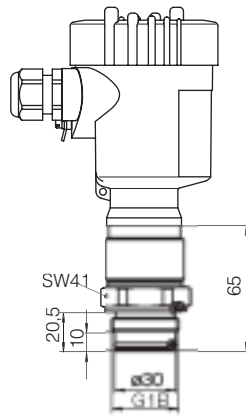
VEGABAR 53



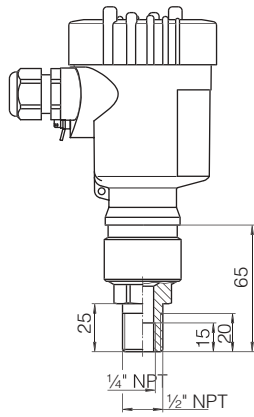
GV



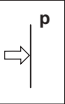
GF



GC



GN



VEGABAR 54

