



Pressure - Hydrostatic

Overview	150
VEGABAR 61, 64, 65, 66, 67	152
VEGAWELL 72	162
VEGABAR 74, 75	164
Accessory	168
Dimensions	170



VEGABAR 60/VEGAWELL 72:

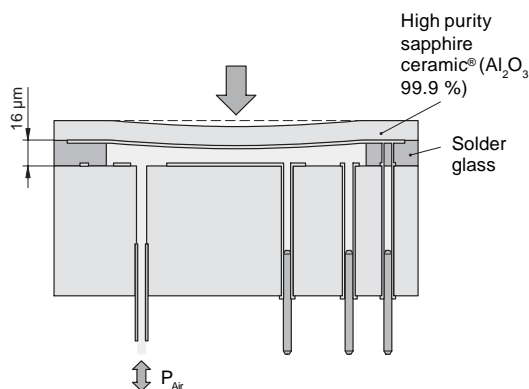


VEGABAR series 60 pressure transmitters are developed for pressure as well as for level measurement applications. Their universal use is characterised by a user-optimised housing concept, resistant instruments and high accuracy. The product family is completed by the compact VEGABAR 74 and 75 transmitters suitable for arduous ambient conditions. The suspension pressure transmitter VEGAWELL 72 with the proven and versatile technology completes the application range for all standard measurements.

The heart of VEGABAR 60 and 70 series is the CERTEC® measuring cell of sapphire ceramic® developed and manufactured by VEGA. For higher temperatures and/or aggressive products, the metal METEC® measuring cell, also developed by VEGA, is available for series 60 transmitters.

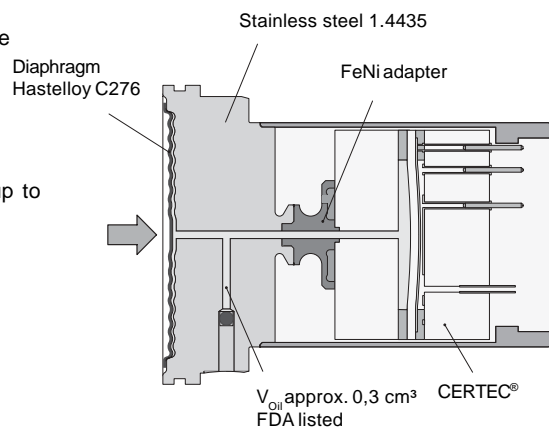
Advantages of CERTEC®

- dry measuring cell
- very high overload resistance
- no hysteresis
- excellent long-term stability
- absolutely flush installation
- good corrosion resistance
- very good abrasion resistance



Advantages of METEC®

- completely welded, elastomer-free
- very high overload resistance
- full vacuum resistance (also at 0.1 bar)
- good thermo shock reaction
- excellent long-term stability
- permanent product temperature up to 200°C
- completely flush



Overview

VEGABAR 61



VEGABAR 64/65



Measuring cell:

CERTEC®
pressure transmitter with isolating diaphragm

CERTEC®/METEC®
pressure transmitter with flush measuring cell

Product temperature:

up to 400°C

up to 200°C

Deviation in characteristics:

0.1

0.075

Application:

vessels and pipelines with aggressive products and/or high temperatures

hygienic process fittings of the pharmaceutical and food processing industry, abrasion resistant, flush CERTEC® for paper and waste water industry

Replacement for:

VEGABAR 41/D81

VEGABAR 44/D84/D81 METEC®

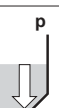
VEGABAR 66/67



**VEGAWELL 72
VEGAWELL 72 HART**



VEGABAR 74/75



Measuring cell:

CERTEC®/METEC®

CERTEC®

CERTEC®/METEC®

Cable material:

tube/PE/PUR/FEP

PE/PUR/FEP

PE/PUR/FEP

Diameter:

40 mm

32 mm

–

Product temperature:

up to 100°C

up to 85°C

up to 100°C/200°C

Application:

vessels and basins with aggressive products and/or high temperatures, fuel tanks

deep wells, gauge measurements, ballast tanks

pharmaceutical, food processing and paper industry

Replacement for:

D86/D87/D96/D97

VEGAWELL 71/D76/D77

D84/D85 in IP 68

VEGABAR 61

Pressure transmitter with isolating diaphragm

Suitable for pressure measurements of very corrosive or hot products

- user-optimised instrument design with minimised air volume
- special material or surface coating of the wetted parts
- easy position correction with PLICSCOM
- instrument from the plics® family



Approval

XX	without
XM	Ship approval
CX	ATEX II 1G, 1/2G, 2G EEx ia IIC T6
CA	ATEX II 1G, 1/2G, 2G EEx ia IIC T6 + WHG
CM	ATEX II 1G, 1/2G, 2G EEx ia IIC T6 + Ship approval
DX	ATEX II 1/2G, 2G EEx d ia IIC T6 ¹⁾

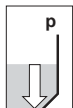
Process connection/Material

FR	Flange DN25PN40 Form C,DIN2501/316L
FC	Flange DN50PN40 Form D,DIN2501/316L
FD	Flange DN50PN40 with extension 50mm,ø48.5/316L
FH	Flange DN80PN40 Form D,DIN2501/316L
FJ	Flange DN80PN40 with extension 50mm,ø74/316L
F1	Flange 1"150lb RF,ANSI B16.5/316L
F7	Flange 2"150lb RF,ANSI w. extension 2",ø1.9"/316L
F5	Flange 2"150lb RF,ANSI B16.5/316L
FS	Flange 3"150lb RF,ANSI B16.5/316L
FQ	Flange 3"150lb RF,ANSI w.extens. 6",ø2.9"/316L
RA	Tube isolator f.mounting betw.flanges DN25/316L
RH	Tube isolator with clamp connector 2"/316L
RW	Bolting DN50PN25,DIN11851/316L
RT	Bolting DN25PN40,DIN11851/316L
RQ	Bolting DN32PN40,DIN11851/316L

Isolating liquid/Temperature

A	Silicone oil KN2.2/-40...150°C(Pabs <1bar-40...150°C)
C	Silic. oil KN2.2+cool./-40...200°C(Pabs <1bar-40...150°C)
G	High-temp.oil+cooling/-10...200°C(Pabs<1bar-10...+200°C)
H	High-temp.oil+capil.1m/-10...400°C(Pabs<1bar-10...+200°C)
I	Halo oil/-40...150°C(Pabs<1bar -40...+80°C)
J	Silicone-free liquid KN70 -40...70°C (no vacuum)
M	Med.white oil KN62(FDA)-15..150°C(Pabs<1bar-15..150°C)
R	Med.white oil+cool.KN62 -15..200°C(Pabs<1bar-15..150°C)

Continuation see next page



VEGABAR 64

Pressure transmitter with flush CERTEC®

for level and pressure measurement in paper, food processing, pharmaceutical and water/waste water industries



- characteristic deviation 0.075%
- dry, ceramic-capacitive sensor element
- longterm stability 0.1%/2 years
- abrasion resistance due to ceramic CERTEC®
- high overload resistance
- instrument from the plics® family



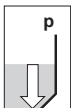
Approval

XX	without
XM	Ship approval
CX	ATEX II 1G, 1/2G, 2G EEx ia IIC T6
CA	ATEX II 1G, 1/2G, 2G EEx ia IIC T6 + WHG
CM	ATEX II 1G, 1/2G, 2G EEx ia IIC T6 + Ship approval
DX	ATEX II 1/2G, 2G EEx d ia IIC T6 ¹⁾

Process connection/Material

GC	Thread G1A PN60/316L ²⁾
GG	Thread G1½A PN60/316L
GW	Thread G1½A PN10/PVDF
GN	Thread 1½NPT PN60/316L
CA	Tri-Clamp 2" PN10/316L
LA	Hyg.connection w. compression nut F40 PN40/316L
TA	Tuchenhagen Varivent DN32...,1½...,PN25/316L
RA	Bolting DN40PN40 DIN11851/316L
RB	Bolting DN50PN25 DIN11851/316L
RD	Bolting DN50PN25 Form A DIN11864/316L
RS	SMS DN38 PN40/316L
RT	SMS DN51 PN40/316L
AA	DRD PN40/316L
BA	M44x1.25 with pressure screw Alu PN25/316L
BB	M44x1.25,with pressure screw PN60/316L
EA	Flange DN40PN40 Form C,DIN2501/316L
FW	Flange DN50PN16/PVDF
FB	Flange DN50PN40 Form C,DIN2501/316L
FE	Flange DN80PN40 Form C,DIN2501/316L
FH	Flange 2"150lb RF,ANSI B16.5/316L
FI	Flange 3"150lb RF,ANSI B16.5/316L

Continuation see next page



Seal measuring cell

- 1 Viton
- 2 Kalrez 6375
- 3 EPDM

Pressure/Meas. range

- K** rel./-0.05...0.05bar (-5...5kPa)
- L** rel./-0.1...0.1bar (-10...10kPa)
- M** rel./-0.2...0.2bar (-20...20kPa)
- O** rel./-0.5...0.5bar (-50...50kPa)
- P** rel./-1...0.0bar (-100...0kPa)
- Q** rel./-1...1.5bar (-100...150kPa)
- R** rel./-1...5.0bar (-100...500kPa)
- S** rel./-1...10.0bar (-100...1000kPa)
- T** rel./-1...25.0bar (-100...2500kPa)
- W** rel./-1...60.0bar (-100...6000kPa)
- A** rel./0...0.1bar (0...10kPa)
- B** rel./0...0.2bar (0...20kPa)
- C** rel./0...0.4bar (0...40kPa)
- D** rel./0...1.0bar (0...100kPa)
- E** rel./0...2.5bar (0...250kPa)
- F** rel./0...5.0bar (0...500kPa)
- G** rel./0...10.0bar (0...1000kPa)
- H** rel./0...25.0bar (0...2500kPa)
- U** rel./0...60.0bar (0...6000kPa)
- 1** abs./0...1.0bar (0...100kPa)
- 2** abs./0...2.5bar (0...250kPa)
- 3** abs./0...5.0bar (0...500kPa)
- 4** abs./0...10.0bar (0...1000kPa)
- 5** abs./0...25.0bar (0...2500kPa)

Electronics

- H** 4...20mA HART®
- P** Profibus PA
- F** Foundation Fieldbus

Housing/Protection

- K** Plastic/IP66/IP67
- A** Aluminium/IP66/IP67
- D** Aluminium double chamber/IP66/IP67
- V** Stainless steel 316L/IP66/IP67
- T** PE-cable axial IP68, ext. housing plastic IP65³⁾
- U** PE-cable axial IP68, ext. housing 316L IP65³⁾

Cable entry/Plug connection

- M** M20x1.5/without
- N** ½NPT/without

Indication-Adjustment module (PLICSCOM)

- X** without
- A** top mounted

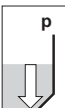
BR64.									
-------	--	--	--	--	--	--	--	--	--

¹⁾ Only in conjunction with housing version "D"
²⁾ not with Kalrez seal
³⁾ 6 m PE-cable with capillaries incl. wall and rail mounting set

Cable length in m
 per additional 100 mm PE cable

Accessory Form seal of EPDM Article no. 2.17775
 Form seal of Viton Article no. 2.21962

• Custom specific fittings and options free of charge –



VEGABAR 65

Pressure transmitter with METEC®

for level and pressure measurements in chemical, food processing and pharmaceutical industries

- characteristic deviation 0.075%
- vacuum resistant
- high overload resistance
- material wetted parts 316L and Hastelloy 276
- instrument from the plics® family

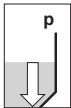


Approval

XX	without
XM	Ship approval
CX	ATEX II 1G, 1/2G, 2G EEx ia IIC T6
CA	ATEX II 1G, 1/2G, 2G EEx ia IIC T6 + WHG
CM	ATEX II 1G, 1/2G, 2G EEx ia IIC T6 + Ship approval
DX	ATEX II 1/2G, 2G EEx d ia IIC T6 ¹⁾

Process connection/Material

FB	Flange DN40PN40 Form C, DIN2501/316L
FC	Flange DN50PN40 Form C, DIN2501/316L
FH	Flange DN80PN40 Form C, DIN2501/316L
F5	Flange 2"150lb RF, ANSI B16.5/316L
GG	Thread G1½A PN60/316L
GN	Thread 1½NPT PN60/316L
CA	Tri-Clamp 2" PN40/316L
LA	Hygienic connec. w. compression nut F40PN40/316L
TA	Tuohenhagen Varivent DN32..., 1½.../PN25/316L
RV	Bolting DN40PN40, DIN11851/316L
RW	Bolting DN50PN40, DIN11851/316L
AA	DRD PN40/316L
BB	M44x1.25 with pressure screw 316L PN60/316L
SB	SMS DN51 PN6/316L



Continuation see next page

Isolating liquid/Temperature

- M** Med.white oil (FDA)/-12...140°C(Pabs<1bar-12..130°C)
- S** Med.w.oil,cool.(FDA)/-12..180°C(Pabs <1bar -12..130°C)
- R** Med.w.oil,cool.(FDA)/-12..200°C(Pabs <1bar -12..130°C)

Pressure/Measuring range

- K** rel./-0.05...0.05bar (-5...5kPa)
- L** rel./-0.1...0.1bar (-10...10kPa)
- M** rel./-0.2...0.2bar (-20...20kPa)
- O** rel./-0.5...0.5bar (-50...50kPa)
- P** rel./-1...0.0bar (-100...0kPa)
- Q** rel./-1...1.5bar (-100...150kPa)
- R** rel./-1...5.0bar (-100...500kPa)
- S** rel./-1...10.0bar (-100...1000kPa)
- H** rel./-1...25.0bar (-100...2500kPa)
- A** rel./0...0.1bar (0...10kPa)
- B** rel./0...0.2bar (0...20kPa)
- C** rel./0...0.4bar (0...40kPa)
- D** rel./0...1.0bar (0...100kPa)
- E** rel./0...2.5bar (0...250kPa)
- F** rel./0...5.0bar (0...500kPa)
- G** rel./0...10.0bar (0...1000kPa)
- T** rel./0...25.0bar (0...2500kPa)
- 1** abs./0...1.0bar (0...100kPa)
- 2** abs./0...2.5bar (0...250kPa)
- 3** abs./0...5.0bar (0...500kPa)
- 4** abs./0...10.0bar (0...1000kPa)
- 5** abs./0...25.0bar (0...2500kPa)

Electronics

- H** 4...20mA HART®
- P** Profibus PA
- F** Foundation Fieldbus

Housing/Protection

- K** Plastic/IP66/IP67
- A** Aluminium/IP66/IP67
- D** Aluminium double chamber/IP66/IP67
- V** Stainless steel 316L/IP66/IP67
- T** PE-cable axial IP68, ext. housing plastic IP65²⁾
- U** PE-cable axial IP68, ext. housing 316L IP65²⁾

Cable entry/Plug connection

- M** M20x1.5/without
- N** ½NPT/without

Indicating-adjustment module (PLICSCOM)

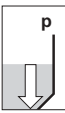
- X** without
- A** top mounted

BR65.									
--------------	--	--	--	--	--	--	--	--	--

¹⁾ Only in conjunction with housing version "D"
²⁾ 6 m PE-cable with capillaries incl. wall and rail mounting set

Cable length in m
per additional 100 mm PE cable

- Further process fittings and options on request
- Customer-specific factory setting – free of charge –

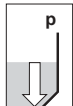


VEGABAR 66

Suspension pressure transmitter with flush CERTEC®

for level and gauge measurement in water/waste water, deep wells, basins and vessels

- characteristic deviation 0.1%
- dry, ceramic-capacitive sensor element
- longterm stability 0.1%/2 years
- minimised pollution with buildup due to self-cleaning effect
- instrument from the plics® family



Approval

- XX** without
- XM** Ship approval
- CX** ATEX II 1G, 1/2G, 2G EEx ia IIC T6
- CA** ATEX II 1G, 1/2G, 2G EEx ia IIC T6 + WHG
- CM** ATEX II 1G, 1/2G, 2G EEx ia IIC T6 + Ship approval
- DX** ATEX II 1/2G, 2G EEx d ia IIC T6¹⁾

Version/Material

- A** PE suspension cable²⁾
- C** PUR suspension cable²⁾
- B** FEP suspension cable²⁾
- D** Connection tube/316L

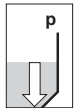
Continuation see next page

VEGABAR 67

Suspension pressure transmitter with METEC®

Suitable for level and gauge measurements in vessels

- characteristic deviation 0.1%
- vacuum resistant
- permanent product temperature up to 100°C
- material wetted parts 316L, Hastelloy C276 and/or FEP
- instrument from the plics® family



Approval

- XX** without
- XM** Ship approval
- CX** ATEX II 1G, 1/2G, 2G EEx ia IIC T6
- CA** ATEX II 1G, 1/2G, 2G EEx ia IIC T6 + WHG
- CM** ATEX II 1G, 1/2G, 2G EEx ia IIC T6 + Ship approval
- DX** ATEX II 1/2G, 2G EEx d ia IIC T6¹⁾

Version/Material

- B** FEP suspension cable²⁾
- D** Connection tube/316L

Process connection/Material

- AA** Straining clamp/1.4301³⁾
- NG** Thread G1½A PN3/316L³⁾
- NN** Thread 1½NPT PN3/316L³⁾
- GA** Thread G1½A PN25/316L
- GB** Thread 1½NPT PN25/316L
- FB** Flange DN50PN40 C,DIN 2501/316L

Pressure/Measuring range

- A** rel./0...0.1bar (0...10kPa)
- B** rel./0...0.2bar (0...20kPa)
- C** rel./0...0.4bar (0...40kPa)
- D** rel./0...1.0bar (0...100kPa)
- E** rel./0...2.5bar (0...250kPa)
- F** rel./0...5.0bar (0...500kPa)
- G** rel./0...10.0bar (0...1000kPa)
- H** rel./0...25.0bar (0...2500kPa)
- 1** abs./0...1.0bar (0...100kPa)
- 2** abs./0...2.5bar (0...250kPa)
- 3** abs./0...5.0bar (0...500kPa)
- 4** abs./0...10.0bar (0...1000kPa)
- 5** abs./0...25.0bar (0...2500kPa)

Electronics

- H** 4...20mA HART®
- P** Profibus PA
- F** Foundation Fieldbus

Housing/Protection

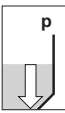
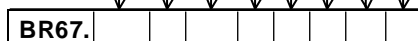
- K** Plastic/IP66/IP67
- A** Aluminium/IP66/IP67
- D** Aluminium double chamber/IP66/IP67
- V** Stainless steel 316L/IP66/IP67
- T** axial cable outlet/IP68, ext. housing plastic/IP 65⁴⁾

Cable entry /plug connection

- M** M20x1.5/without
- N** ½NPT/without

Indicating-adjustment module (PLICSCOM)

- X** without
- A** top mounted



1) Only in conjunction with housing version "D"
 2) max. suspension cable length 180 m
 3) Only in conjunction with housing "T"
 4) incl. wall and rail mounting set

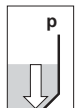
Total length L in m
 per 100 mm FEP cable
 per 100 mm tube/316L

- Further process fittings and options on request
- Customer-specific factory setting – free of charge –

VEGAWELL 72**Suspension pressure transmitter with CERTEC®**

Suitable for level and gauge measurements in water/waste water,
deep wells, basins and vessels

- dry, ceramic-capacitive sensor element
- longterm stability 0.1%/2 years
- two wire system 4...20mA
- diameter of the transmitter 32 mm
- integrated overvoltage protection



Approval

- XX** without
- XM** Ship approval
- AX** ATEX II 2G EEx ia IIC T6
- AM** ATEX II 2G EEx ia IIC T6 + Ship approval

Version

- A** PE suspension cable¹⁾
- D** PUR suspension cable¹⁾
- B** FEP suspension cable²⁾

Process connection/Material

- X4** without/316Ti
- A4** Straining clamp/1.4301
- GA** Screw G1½A PN3/316L
- GB** Screw 1½NPT PN3/316L
- GI** G1½A on plastic housing with cable locking

Transmitter protection

- X** without
- P** PE-plastic coating
- V** Special version for deep wells

Accuracy class

- 1** 0.25
- 2** 0.10³⁾

Pressure/Measuring range

- A** rel./0...0.1 bar(0...10 kPa)
- B** rel./0...0.2 bar(0...20 kPa)
- C** rel./0...0.4 bar(0...40 kPa)
- D** rel./0...1 bar(0...100 kPa)
- E** rel./0...2.5 bar(0...250 kPa)
- F** rel./0...5 bar(0...500 kPa)
- G** rel./0...10 bar(0...1000 kPa)
- H** rel./0...25 bar(0...2500 kPa)
- 1** Absolute pressure/0...1 bar(0...100 kPa)
- 2** Absolute pressure/0...2.5 bar(0...250 kPa)
- 3** Absolute pressure/0...5 bar(0...500 kPa)
- 4** Absolute pressure/0...10 bar(0...1000 kPa)
- 5** Absolute pressure/0...25 bar(0...2500 kPa)

Electronics

- H** 4...20mA HART®
- C** 4...20mA

Length

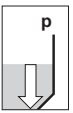
- K** 6m PE suspension cable
- L** 12m PE suspension cable
- M** 27m PE suspension cable
- T** Special length (PE,PUR,FEP)

WELL72.										
----------------	--	--	--	--	--	--	--	--	--	--

¹⁾ Measuring cell seal Viton
²⁾ Measuring cell seal Kalrez
³⁾ Only in conjunction with HART® electronics

Total length in m
 per 100 mm PE cable
 per 100 mm FEP cable
 per 100 mm PUR cable

- Customer-specific factory setting on request



VEGABAR 74

Pressure transmitter with flush CERTEC®

for level and pressure measurements in the paper, food processing and pharmaceutical industry as well as water/waste water applications

- characteristic deviation 0.1%
- dry, ceramic-capacitive sensor element
- abrasion resistant by ceramic CERTEC®
- protection IP68, IP69K
- two-wire system 4...20mA/HART



Approval

- XX** without
- XM** Ship approval
- CX** ATEX II 1G EEx ia IIC T6
- AX** ATEX II 2G EEx ia IIC T6
- AM** ATEX II 2G EEx ia IIC T6 + Ship approval

Process connection/Material

- GG** Thread G1½A PN60/316L
- GN** Thread 1½NPT PN60/316L
- CA** Tri-Clamp 2" PN10/316L
- LA** Hyg.connection w. compression nut F40 PN40/316L
- TA** Tuchenhagen Varivent DN32...1½...PN25/316L
- RA** Bolting DN40PN40 DIN11851/316L
- RB** Bolting DN50PN25 DIN11851/316L
- AA** DRD PN40/316L
- BA** M44x1.25 with pressure screw Alu PN25/316L
- BB** M44x1.25,with pressure screw PN60/316L
- EA** Flange DN40PN40 Form C,DIN2501/316L
- FB** Flange DN50PN40 Form C,DIN2501/316L
- FE** Flange DN80PN40 Form C,DIN2501/316L
- FH** Flange 2"150lb RF,ANSI B16.5/316L
- FI** Flange 3"150lb RF,ANSI B16.5/316L
- GI** G½A inner G¼A PN160/316L

Continuation see next page

VEGABAR 75

Pressure transmitter with METEC®

for level and pressure measurements in the chemical, food processing and pharmaceutical industry

- characteristic deviation 0.1%
- vacuum resistant
- wetted parts 316L and Hastelloy C276
- protection IP68, IP69K
- two-wire system 4...20mA/HART



Approval

- XX** without
- XM** Ship approval
- CX** ATEX II 1G EEx ia IIC T6
- CK** ATEX II 1G EEx ia IIC T6 + ATEX II 1/2D,2D IP6X T
- AX** ATEX II 2G EEx ia IIC T6
- AM** ATEX II 2G EEx ia IIC T6 + Ship approval
- GX** ATEX II 1/2D,2D IP6X T

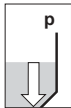
Process connection/Material

- GG** Thread G1½A PN60/316L
- GN** Thread 1½NPT PN60/316L
- CA** Tri-Clamp 2" PN40/316L
- LA** Hygienic connec. w. compression nut F40PN40/316L
- TA** Tuchenhausen Varivent DN40...,1½.../PN25/316L
- RV** Bolting DN40PN40,DIN11851/316L
- RW** Bolting DN50PN40,DIN11851/316L
- AA** DRD PN40/316L
- BB** M44x1.25 with pressure screw 316L PN60/316L
- SB** SMS DN51 PN6/316L
- FB** Flange DN40PN40 Form C,DIN2501/316L
- FC** Flange DN50PN40 Form C,DIN2501/316L
- FH** Flange DN80PN40 Form C,DIN2501/316L
- F5** Flange 2"150lb RF,ANSI B16.5/316L

Continuation see next page

	Isolating liquid/Temperature
	M Med.white oil,FDA appr.-12...150°C(Pabs<1bar-12..130°C)
	S Med.w.oil,cool.(FDA)/-12..180°C(Pabs <1bar -12..130°C)
	R Med.w.oil,cool.(FDA)/-12..200°C(Pabs <1bar -12..130°C)
	Pressure/Measuring range
	K rel./-0.05...0.05bar (-5...5kPa)
	L rel./-0.1...0.1bar (-10...10kPa)
	M rel./-0.2...0.2bar (-20...20kPa)
	O rel./-0.5...0.5bar (-50...50kPa)
	P rel./-1...0.0bar (-100...0kPa)
	Q rel./-1...1.5bar (-100...150kPa)
	R rel./-1...5.0bar (-100...500kPa)
	S rel./-1...10.0bar (-100...1000kPa)
	H rel./-1...25.0bar (-100...2500kPa)
	A rel./0...0.1bar (0...10kPa)
B rel./0...0.2bar (0...20kPa)	
C rel./0...0.4bar (0...40kPa)	
D rel./0...1.0bar (0...100kPa)	
E rel./0...2.5bar (0...250kPa)	
F rel./0...5.0bar (0...500kPa)	
G rel./0...10.0bar (0...1000kPa)	
T rel./0...25.0bar (0...2500kPa)	
1 abs./0...1.0bar (0...100kPa)	
2 abs./0...2.5bar (0...250kPa)	
3 abs./0...5.0bar (0...500kPa)	
4 abs./0...10.0bar (0...1000kPa)	
5 abs./0...25.0bar (0...2500kPa)	
Electronics	
H 4...20mA HART®	
Electrical connection	
A Direct cable outlet axial	
S Direct cable outlet lateral	
Cable material/Length	
1 PE/6 m	
2 PE/Special length	
3 PUR/Special length	
4 FEP/Special length	
Overvoltage arrester	
X without	
B with ¹⁾	

BR75.										
--------------	--	--	--	--	--	--	--	--	--	--



¹⁾ only in conjunction with approval 'XX' or 'AX'

Connection cable in m

- per 100 mm PE cable
- per 100 mm FEP cable
- per 100 mm PUR cable

- Further process fittings and options on request
- Customer-specific factory setting on request

VEGADIS 12

Adjustment/indication without external energy for pressure transmitters

Use with VEGAWELL 72 HART, VEGABAR 74/75 pressure transmitters

- with high quality ventilation filter
- wall or rail mounting
- LC display for digital and quasi-analogue presentation of measured values
- indication range: -9999...9999 with individually adjustable decimal point
- protection: IP67



Approval

.X without
EX.X ATEX II 2G EEx ia IIC T6

Adjustment unit for pressure transmitter

B mounted

Display

X without

A mounted

Protective cover

X without

W with

DIS12

VEGABOX01

Breather housing with high-quality ventilation filter

Suitable for all pressure transmitters

- wall or rail mounting possible
- protection IP66/IP67



Approval

.X without
EX.X connection to pressure transmitter w. ATEX certificate

Transmission

A Analogue

Protective cover

X without

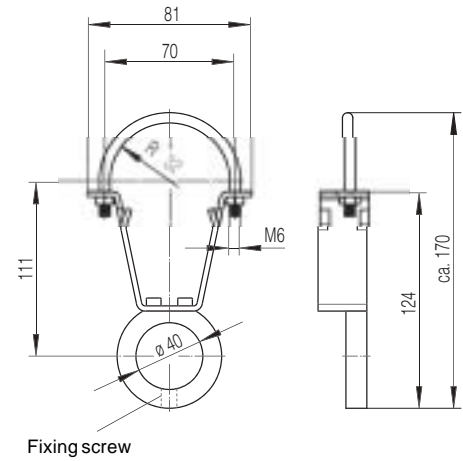
W with

BOX01

Measuring instrument holder for wall-tube mounting¹⁾

¹⁾ for VEGABAR 66 and 67

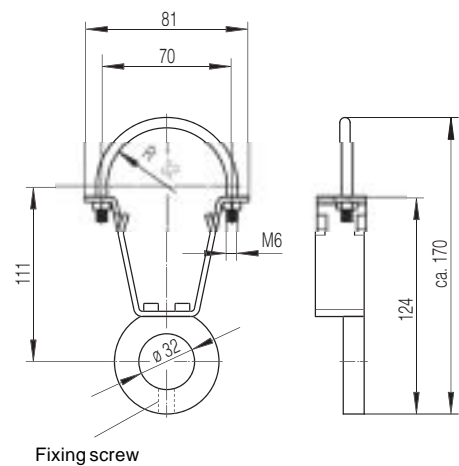
- stainless steel Article no. BARMONT.A



Measuring instrument holder for wall-tube mounting¹⁾

¹⁾ for VEGAWELL 72

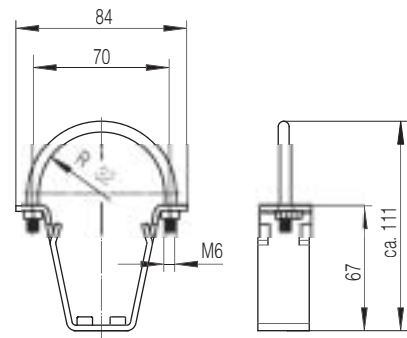
- stainless steel Article no. BARMONT.B



Measuring instrument holder for tube mounting¹⁾

¹⁾ for external housing and VEGADIS 61

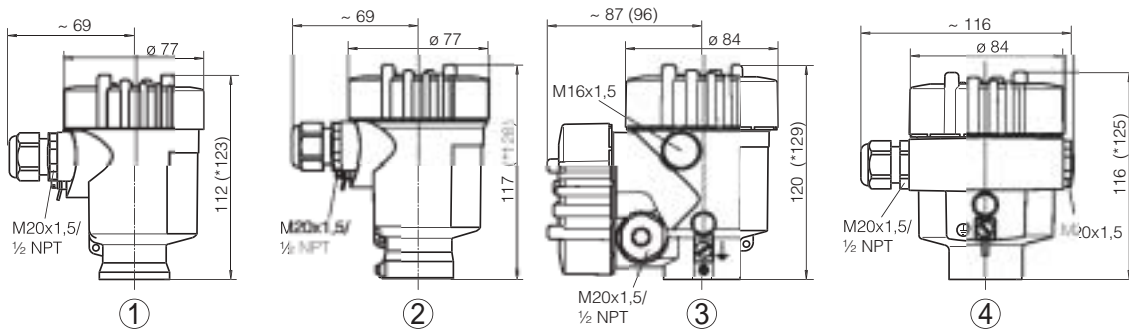
- stainless steel Article no. BARMONT.C



Fastenings

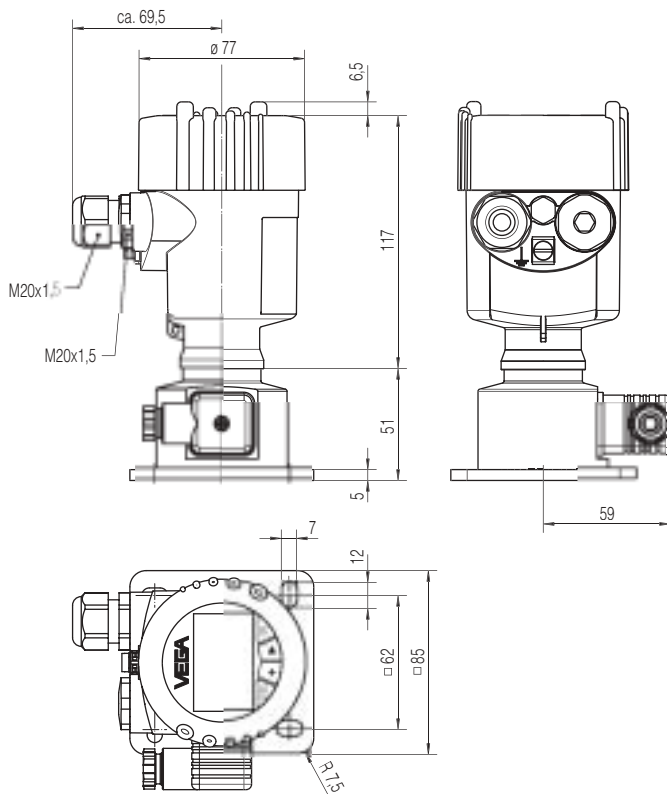
- closing screw G1½A of 316L with form seal; for cable-ø 8 mm Article no. WLVSCHR.GA
- closing screw 1½ NPT of 316L with form seal; for cable-ø 8 mm Article no. WLVSCHR.GB
- straining clamp of stainless steel Article no. 2.27363

Housings

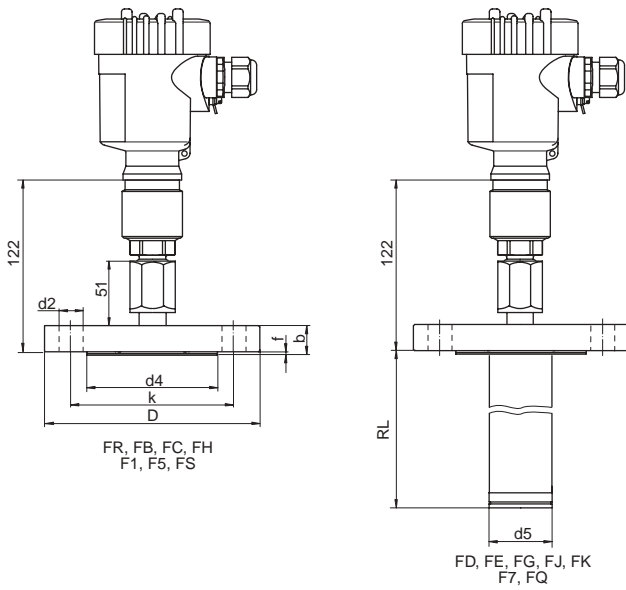


- 1 Plastic housing (* dimension with integrated PLICSCOM)
- 2 Stainless steel housing (* dimension with integrated PLICSCOM)
- 3 Aluminium double chamber housing (* dimension with integrated PLICSCOM)
- 4 Aluminium housing (* dimension with integrated PLICSCOM)

External indicating unit



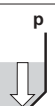
VEGABAR 61 - flange version



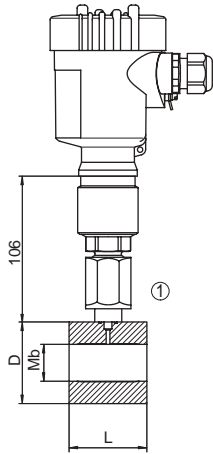
①	DN	PN	D	b	k	d2	d4	f	RL	d5	dM ^③
FR	25	40	115	22	85	4xø14	68	2	-	-	-
FB	40	40	150	18	110	4xø18	68	3	-	-	-
FC	50	40	165	20	125	4xø18	102	3	-	-	-
FD	50	40	165	20	125	4xø18	102	3	50	48,3	47
FE	50	40	165	20	125	4xø18	102	3	100	48,3	47
FG	50	40	165	20	125	4xø18	102	3	200	48,3	47
FH	80	40	200	24	160	8xø18	138	3	-	-	-
FJ	80	40	200	24	160	8xø18	138	3	50	76	72
FK	80	40	200	24	160	8xø18	138	3	100	76	72

②	"	lbs	D	b	k	d2	d4	f	RL	d5	dM ^③
F1	1"	150	5"	3/4"	3 7/8"	4xø 5/8"	3 7/8"	1/8"	-	-	-
F5	2"	150	6"	3/4"	4 3/4"	4xø 5/8"	3 5/8"	1/8"	-	-	-
F7	2"	150	6"	3/4"	4 3/4"	4xø 5/8"	3 5/8"	1/8"	2"	1,9"	-
FS	3"	150	7 1/2"	3/4"	6	4xø 5/8"	6	1/8"	-	-	-
FQ	3"	150	7 1/2"	3/4"	6	4xø 5/8"	6	1/8"	6"	2,9"	-

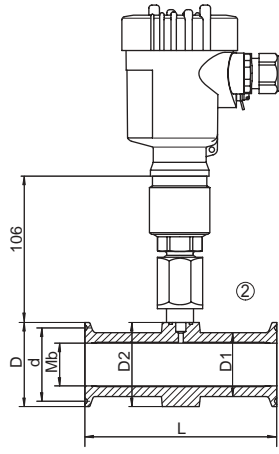
- 1 Flange connection acc. to DIN 2501
- 2 Flange connection acc. to ANSI B 16.5
- 3 Diaphragm diameter



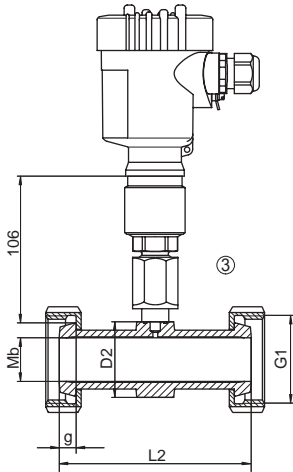
VEGABAR 61 - tube isolating diaphragm



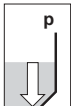
	DN	PN	D	Mb	L
RA	25	6...400	63	28,5	60



	DN	PN	L	D	d	D1	D2	Mb
RH	2"	40	156	64	56,3	56	75	48

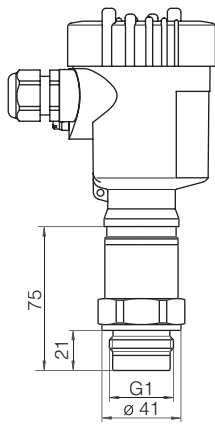


	DN	PN	G1	L2	D2	Mb
RT	25	40	Rd52x1/6	114	46	26
RQ	32	40	Rd58x1/6	140	52	32
RW	50	25	Rd78x1/6	156	70	50

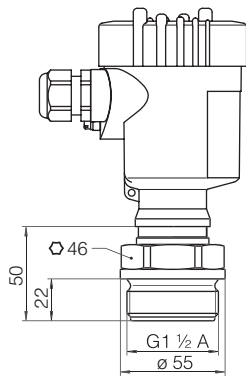


- 1 Tube isolating diaphragm for mounting between flange
- 2 Tube isolating diaphragm with Clamp connection 2"
- 3 Tube isolating diaphragm with screwed connection acc. to DIN 11851

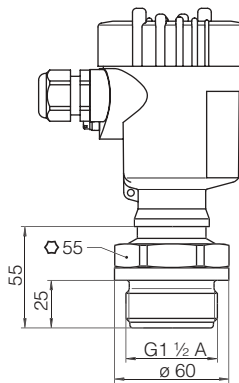
VEGABAR 64



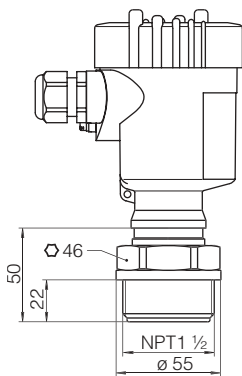
GC



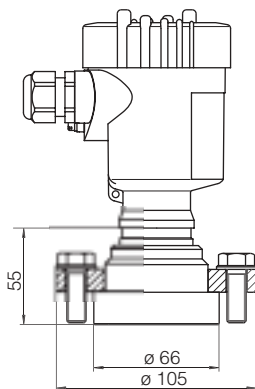
GG



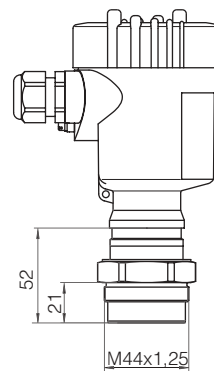
GW



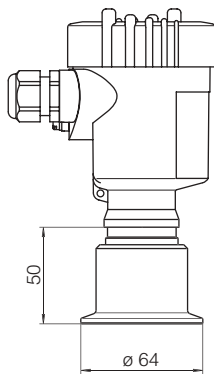
GN



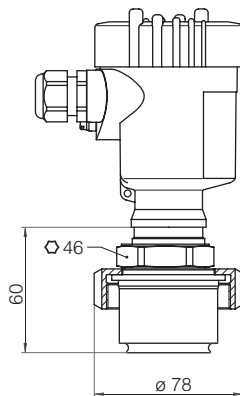
AA



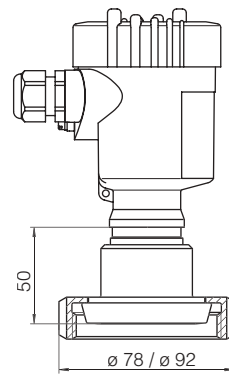
BA/BB



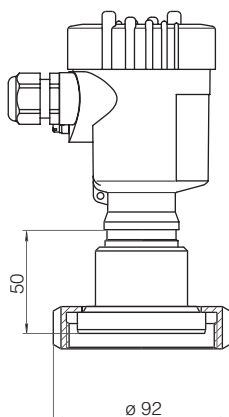
CA



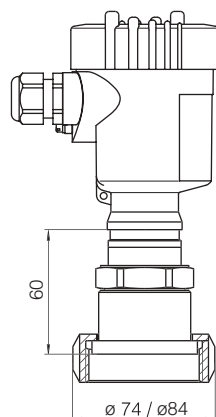
LA



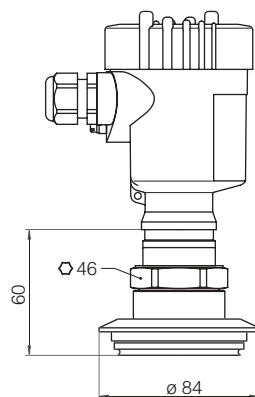
RA/RB



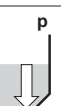
RD



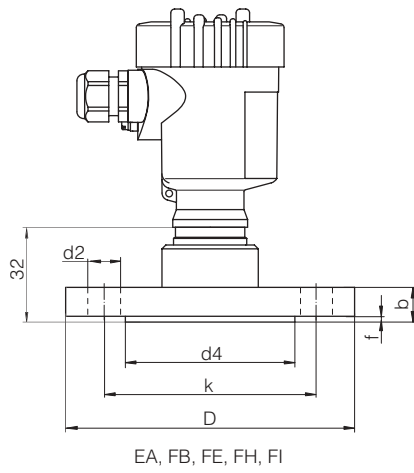
RS/RT



TA

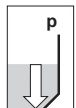


VEGABAR 64 - flange version

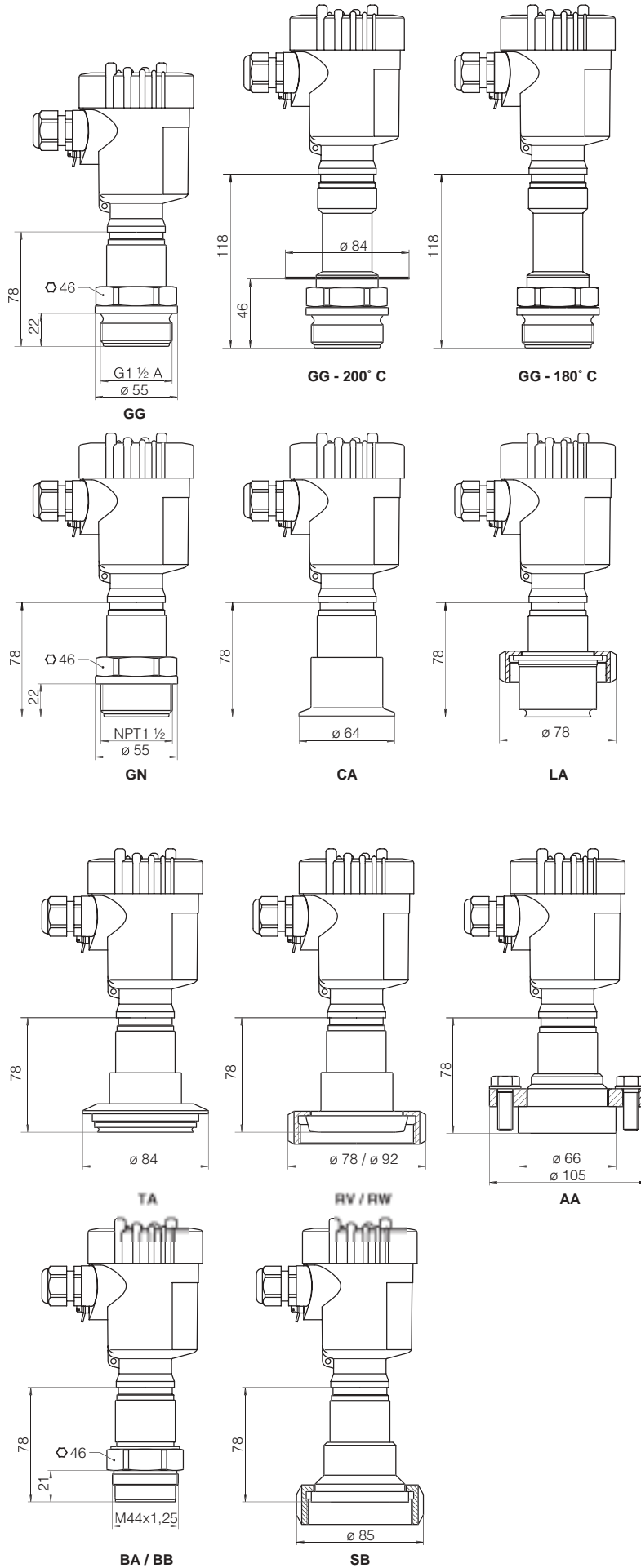


		D	b	k	d ₂	d ₄	f
EA	DN40/PN40	150mm	18mm	110mm	4x ø18mm	88mm	3mm
FB	DN50/PN40	165mm	20mm	125mm	4x ø18mm	102mm	3mm
FE	DN80/PN40	200mm	24mm	160mm	8x ø18mm	138mm	3mm
FH	2"/150lbs	6"	3/4"	7 3/4"	4x ø3/4"	3 5/8"	1/16"
FI	3"/150lbs	7 1/2"	15/16"	6"	4x ø3/4"	5"	1/16"

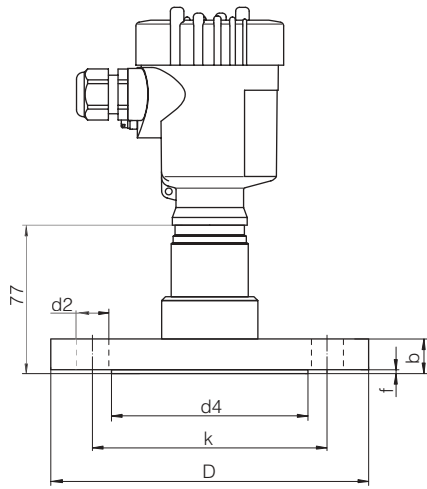
- 1 Flange connection acc. to DIN 2501
- 2 Flange connection acc. to ANSI B 16.5



VEGABAR 65



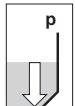
VEGABAR 65 - flange version



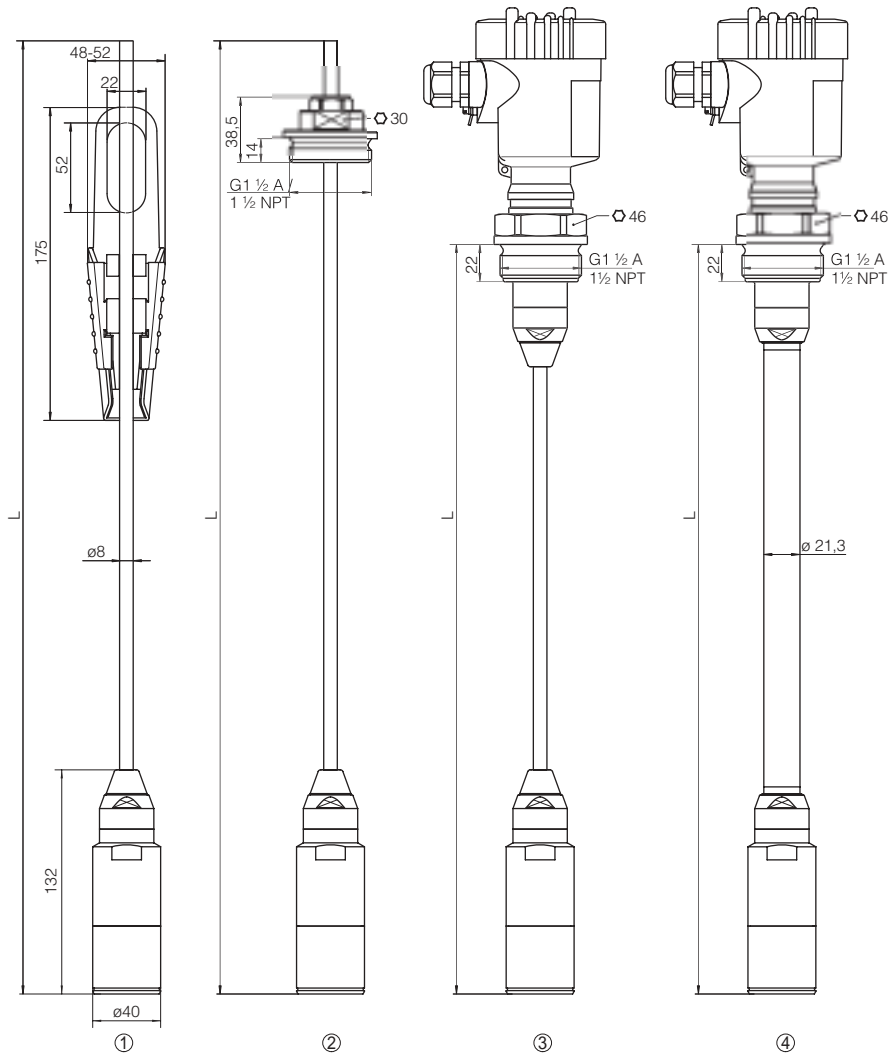
FB, FC, FH, F5

	D	b	k	d ₂	d ₄	f
FB DN 40/PN40	150mm	18mm	110mm	4x ø18mm	88mm	3mm
FC DN 50/PN40	165mm	20mm	125mm	4x ø18mm	102mm	3mm
FH DN 80/PN40	165mm	20mm	125mm	4x ø18mm	102mm	3mm
F5 2"/150lbs	6"	3/4"	7 3/4"	4x ø3/4"	3 5/8"	1/16"

- 1 Flange connection acc. to DIN 2501
- 2 Flange connection acc. to ANSI B 16.5



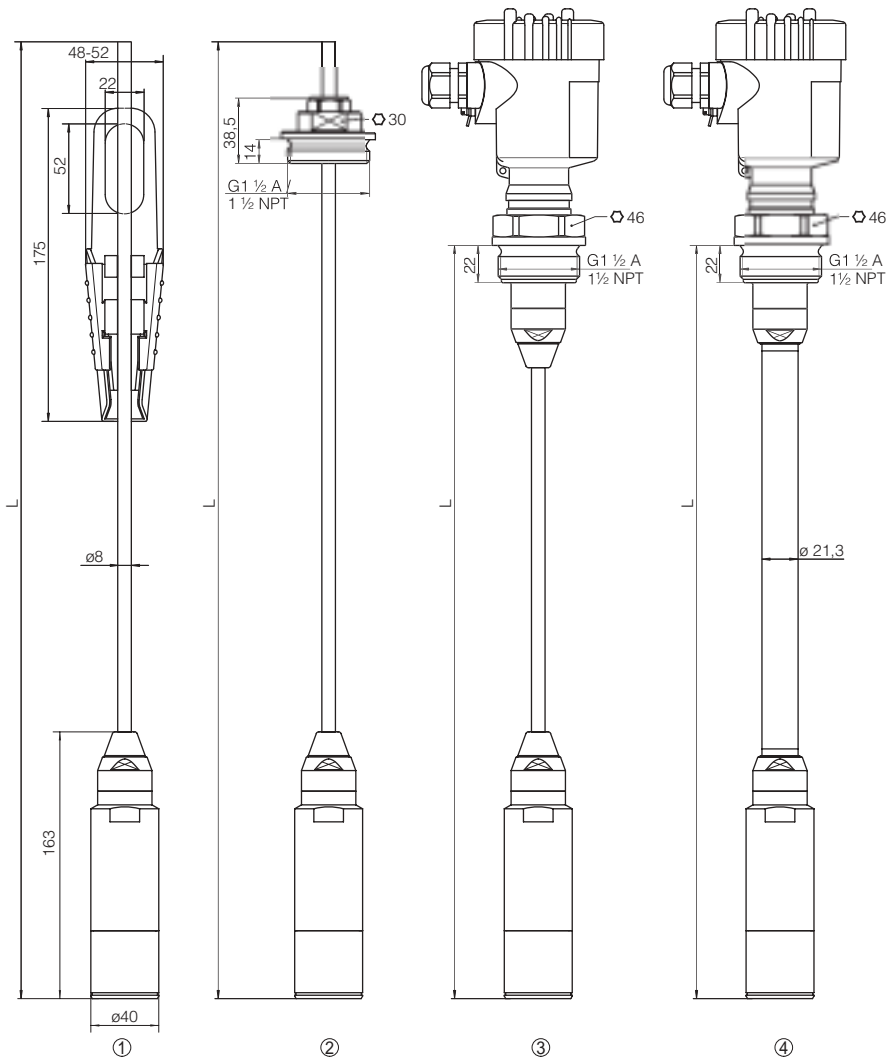
VEGABAR 66



- 1 with straining clamp
- 2 with screwed connection, G1½A (1½ NPT)
- 3 with thread G1½A (1½ NPT) and suspension cable
- 4 with thread G1½A (1½ NPT) and connection tube

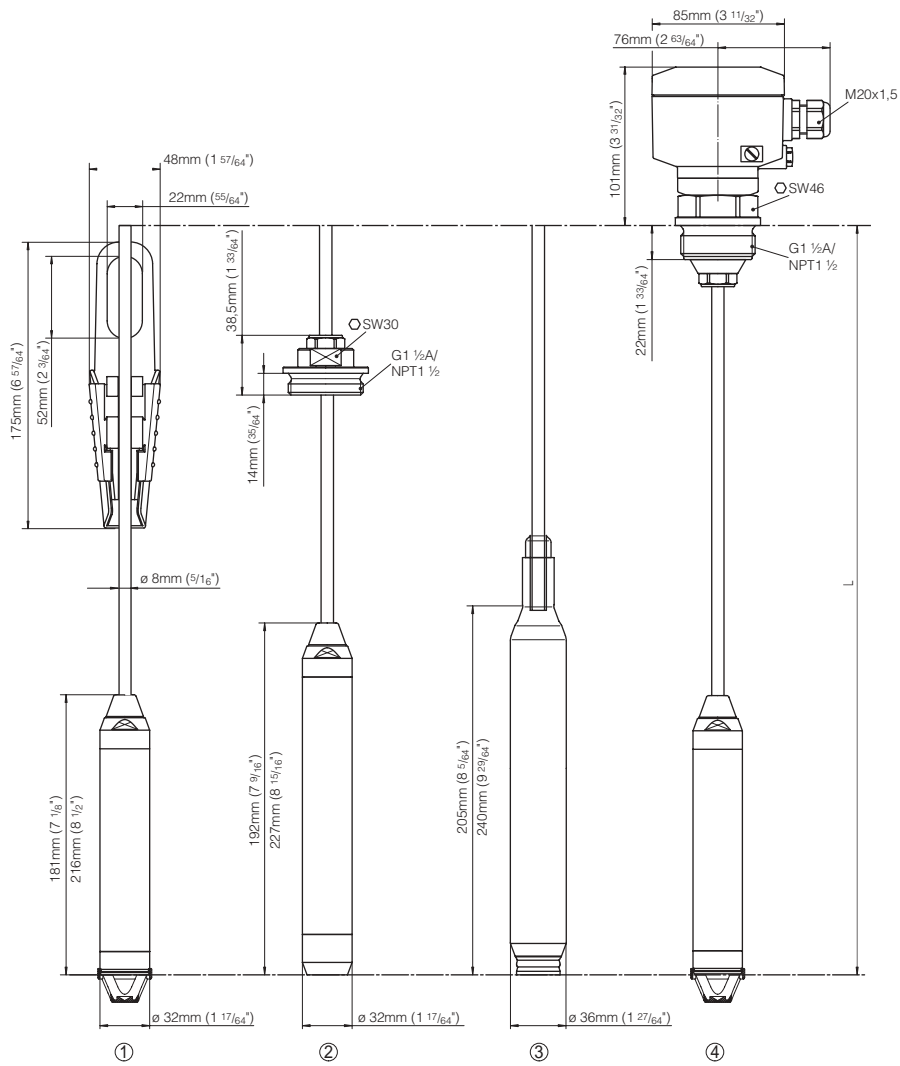


VEGABAR 67

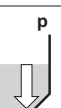


- 1 with straining clamp
 2 with screwed connection, G1 1/2 A (1 1/2 NPT)
 3 with thread G1 1/2 A (1 1/2 NPT) and suspension cable
 4 with thread G1 1/2 A (1 1/2 NPT) and connection tube

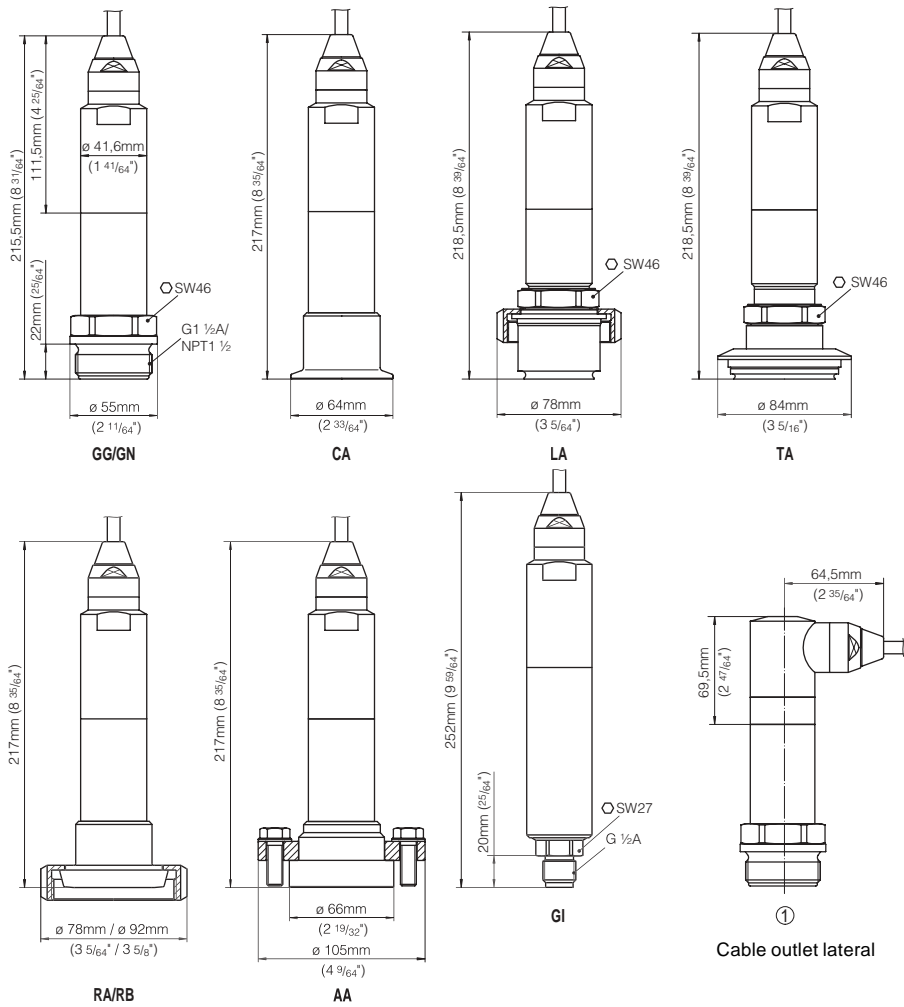
VEGAWELL 72



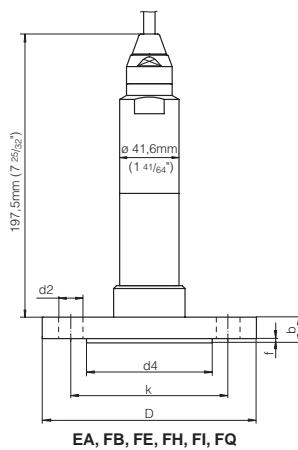
- 1 with straining clamp
- 2 with screwed connection, G1½A (1½ NPT)
- 3 with PE plastic coating
- 4 with thread G1½A (1½ NPT) and plastic housing



VEGABAR 74



Instruments with flange connection



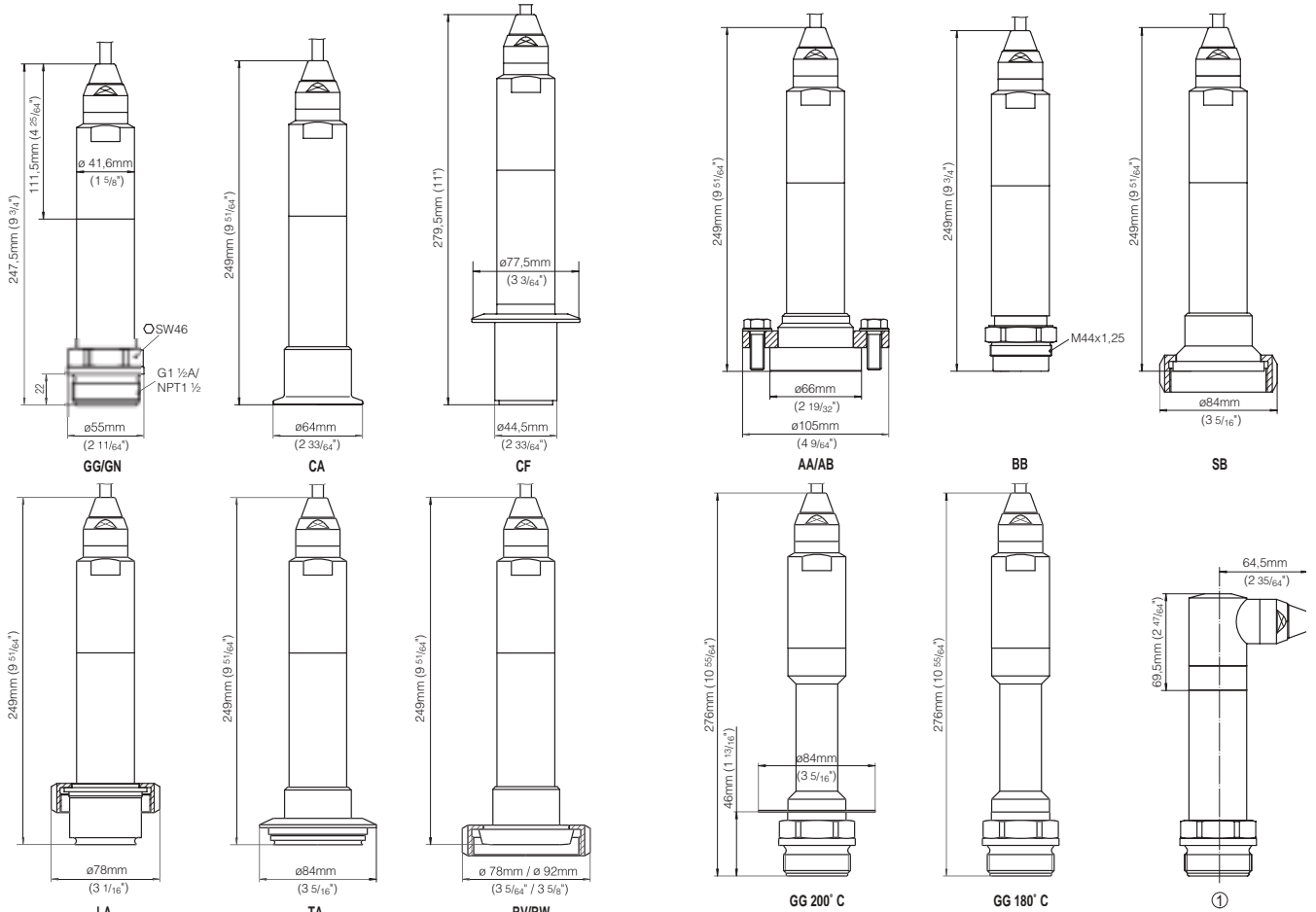
EA, FB, FE, FH, FI, FQ

①	DN	PN	D	b	k	d2	d4	f
EA	40	40	150	18	110	4x $\phi 18$	88	3
FB	50	40	165	20	125	4x $\phi 18$	102	3
FE	80	40	200	24	160	8x $\phi 18$	138	3

②	"	lbs	D	b	k	d2	d4	f
FQ	1 1/2"	150	5"	11/16"	3 14/16"	4x $\phi 5/8$ "	2 7/8"	1/8"
FH	2"	150	6"	3/4"	4 3/4"	4x $\phi 5/8$ "	3 5/8"	1/8"
FI	3"	150	7 1/2"	3/4"	6	4x $\phi 5/8$ "	6	1/8"

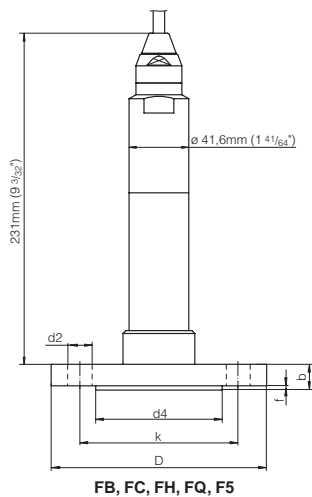
- 1 Flange connection acc. to DIN 2501
- 2 Flange connection acc. to ANSI B 16.5
- 3 Diaphragm diameter

VEGABAR 75



Cable outlet lateral

Instruments with flange connection

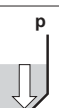


FB, FC, FH, FQ, F5

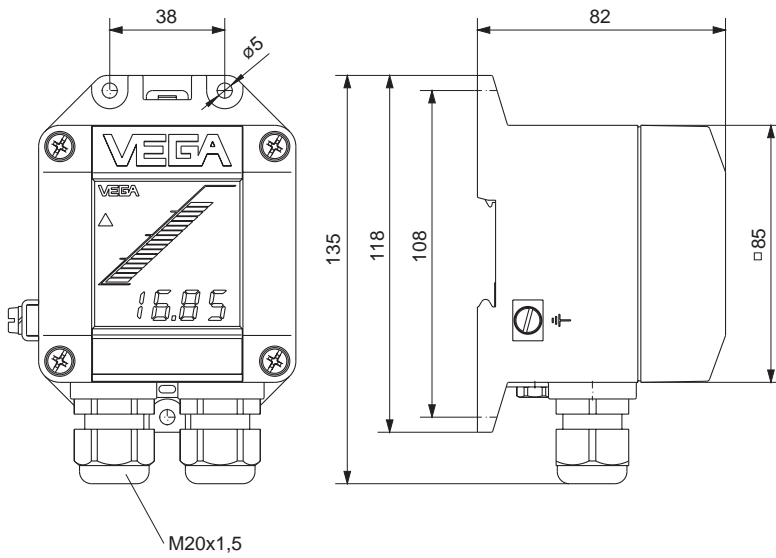
①	DN	PN	D	b	k	d2	d4	f
FB	40	40	150	18	110	4xø18	88	3
FC	50	40	165	20	125	4xø18	102	3
FH	80	40	200	24	160	8xø18	138	3

②	"	lbs	D	b	k	d2	d4	f
FQ	1 1/2"	150	5"	11/16"	3 14/16"	4xø 5/8"	2 7/8"	1/8"
F5	2"	150	6"	3/4"	4 3/4"	4xø 5/8"	3 5/8"	1/8"

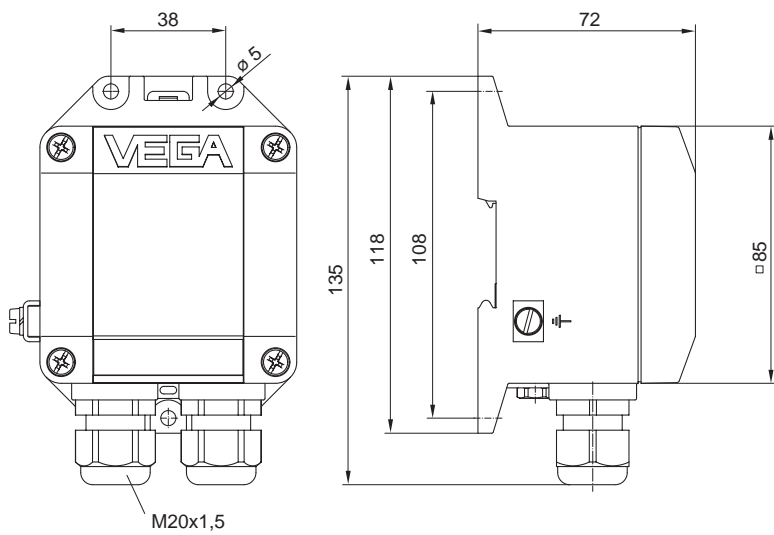
- 1 Flange connection acc. to DIN 2501
- 2 Flange connection acc. to ANSI B 16.5



VEGADIS 12



VEGABOX 01



VEGABOX 01 – protective cover

