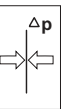
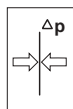


Pressure - Differential pressure

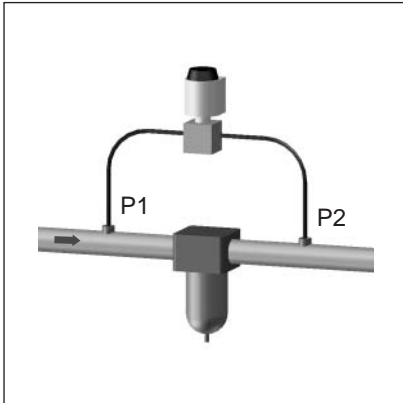
Overview	185
VEGADIF	186
Accessory	192
Dimensions	194





Application examples: Differential pressure measurement

Filter monitoring

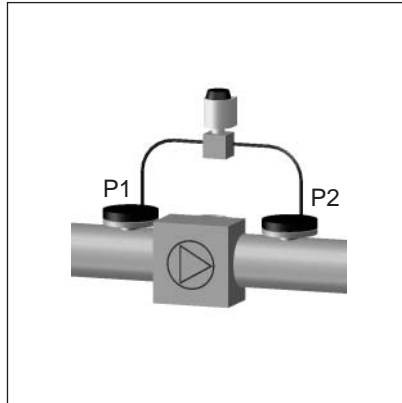


Filter monitoring with VEGADIF 35

A measuring system consists of:

- a VEGADIF 35 differential pressure transmitter

Pump control

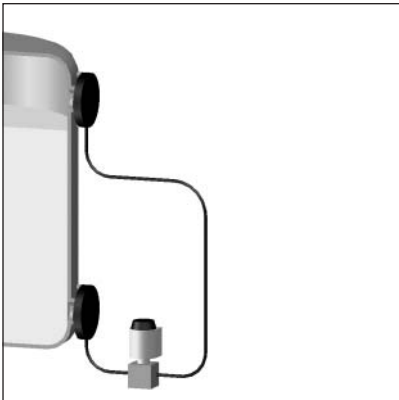


Pump control with VEGADIF 51

A measuring system consists of:

- a VEGADIF 51 differential pressure transmitter

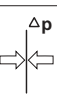
Level measurement in vessels with superimposed pressure



Level measurement with VEGADIF 51

A measuring system consists of:

- a VEGADIF 51 differential pressure transmitter

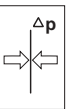


- Further possibilities for differential pressure measurement see chapter "Hydrostatic" and "Process pressure"

VEGADIF 35**Differential pressure transmitter with metal measuring cell**

Suitable for differential pressure measurements on filter and pump monitorings as well as flow measurements

- metal differential pressure measuring cell with piezoresistive sensor element
- exchangeable electronics and measuring cell
- housing of powder-coated Aluminium in protection IP65
- microcomputer-controlled electronics
- accuracy class 0.1



Approval

- K** without
- L** ATEX II 1/2G EEx ia II C

Electronics version

- B** 4...20mA/HART® with display
- H** 4...20mA/HART®

Measuring range,PN/Diaphragm material

- 4A** 10 mbar, max.160 bar/316L
- BA** 10 mbar, max.160 bar/Hastelloy C276
- 4C** 40 mbar, max.160 bar/316L
- BC** 40 mbar, max.160 bar/Hastelloy C276
- 4D** 100 mbar, max.160 bar/316L
- BD** 100 mbar, max.160 bar/Hastelloy C276
- 4F** 500 mbar, max.160 bar/316L
- BF** 500 mbar, max.160 bar/Hastelloy C276
- 4H** 3 bar, max.160 bar/316L
- BH** 3 bar, max.160 bar/Hastelloy C276
- 4L** 16 bar, max.160 bar/316L
- BL** 16 bar, max.160 bar/Hastelloy C276
- 4M** 40 bar, max.160 bar/316L
- BM** 40 bar, max.160 bar/Hastelloy C276
- 5F** 500 mbar, max.420 bar/316L
- HF** 500 mbar, max.420 bar/Hastelloy C276
- 5H** 3 bar, max.420 bar/316L
- HH** 3 bar, max.420 bar/Hastelloy C276
- 5L** 16 bar, max.420 bar/316L
- HL** 16 bar, max.420 bar/Hastelloy C276
- 5M** 40 bar, max.420 bar/316L
- HM** 40 bar, max.420 bar/Hastelloy C276

Measuring Unit

- 1VA** Nominal value in mbar/bar
- 2VA** Nominal value in kPa/MPa
- 3VA** Nominal value in mm H2O
- 4VA** Nominal value in inch H2O
- 5VA** Nominal value in kgf/cm²
- 6VA** Nominal value in psi
- 9VA** acc. to specification

Process seal/Temperature range

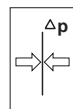
- 1** FPM-Viton/-20...+85°C
- 2** NBR/-20...+85°C
- 3** PTFE/-40...+85°C
- 6** FPM-Viton f. oxygen applic./-10...+85°C
- 9** Others

Process connection ¼-18NPT/Fastening

- A** Flange C22.8/DIN19213/M10/M12
- B** Flange C22.8/7/16 - 20 UNF
- C** Flange 316L/DIN19213/M10/M12
- D** Flange 316L/7/16 - 20 UNF
- I** Flange Hastelloy C276/DIN19213/M10/M12
- F** Flange Hastelloy C276,7/16 - 20 UNF
- H** Flanges volume reduced 316L/7/16 - 20 UNF
- Y** Others

DIF35-							
--------	--	--	--	--	--	--	--

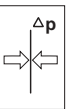
- Process seal "6": only with process fitting "C" and "D"



VEGADIF 45**Differential pressure transmitter with isolating diaphragm**

Suitable for pressure measurements of very corrosive products and/or high process temperatures

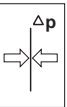
- metal differential pressure measuring cell with piezoresistive sensor element
- exchangeable electronics
- housing of powder-coated Aluminium in protection IP65
- microcomputer-controlled electronics
- accuracy class 0.2



VEGADIF 51**Differential pressure transmitter with isolating diaphragm and capillary lines**

Suitable for differential pressure measurements of high viscosity products and/or high temperatures

- metal differential pressure measuring cell with piezoresistive sensor element
- exchangeable electronics
- housing of powder-coated Aluminium in protection IP65
- microcomputer-controlled electronics
- accuracy class 0.2



Accessory

1 set oval flange adapter ½ NPT,
thread 7/16 UNF,

- C-steel 1.0460; Article no. 2.19262.....
- stainless steel 1.4404; Article no. 2.19264.....

1 set oval flange adapter ½ NPT,
thread M10,

- C-steel 1.0460; Article no. 2.19263.....
- stainless steel 1.4404; Article no. 2.19265.....

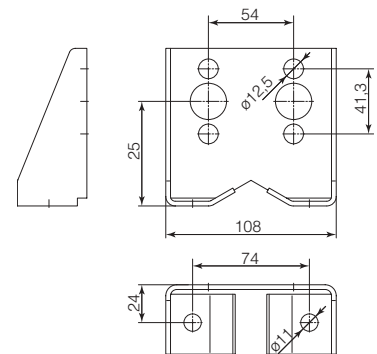
Closing screw 1.4571 Article no. 2.17725.....

Ventilation valve 1.4571 Article no. 2.17724.....

Mounting angle for VEGADIF 35 and 51

for wall or 2" tube mounting

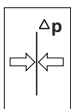
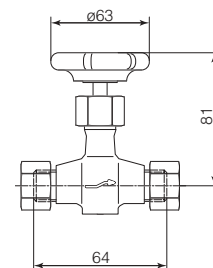
- universal angle with screws
with 7/16 UNF, M10, M12
Material: stainless steel Article no. 2.21774.....



Block valve

with cutting ring screwing on both sides, PN 250

- C22.8 chromised 1.0460 Article no. 2.20218.....
- stainless steel 1.4571 Article no. 2.20219.....

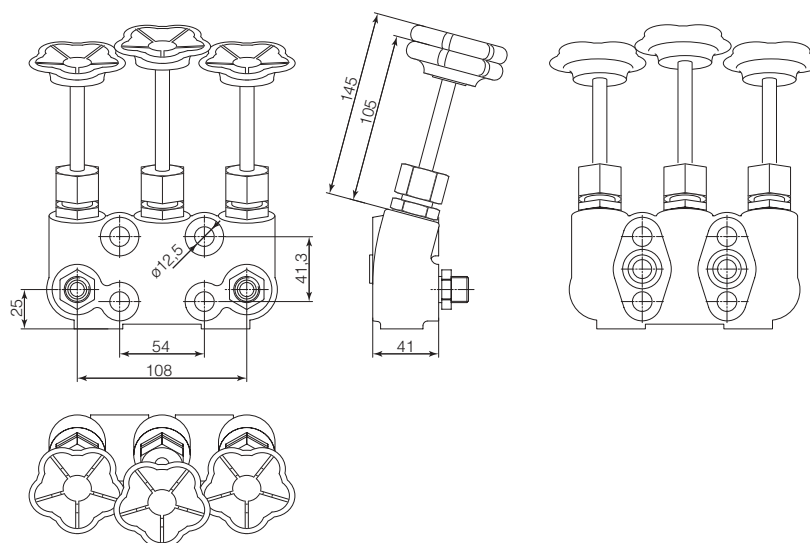


Three-fold valve block acc. to DIN 19 213
for direct flanging to VEGADIF, PN 100

- C22.8 chromised 1.0460 Article no. 2.19546.....
- stainless steel 1.4571 Article no. 2.19547.....

Mounting accessory for valve block:

- screws $\frac{7}{16}$ UNF; C-steel Article no. 2.19543.....
- screws M10 x 55; C-steel Article no. 2.19544.....
- screws $\frac{7}{16}$ UNF; 1.4571 Article no. 2.23330.....
- screws M10 x 55; 1.4571 Article no. 2.21736.....

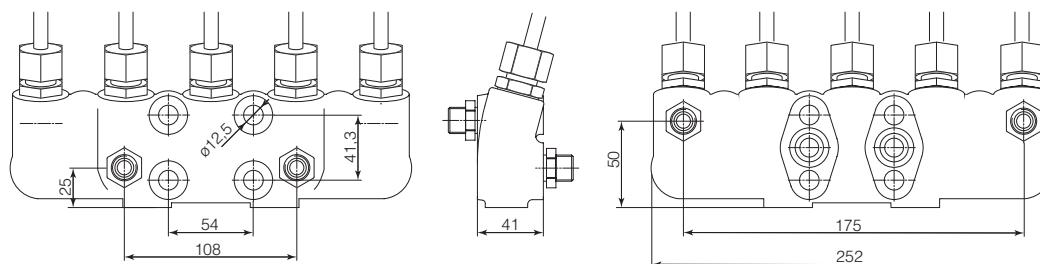
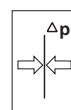


Five-fold valve block acc. to DIN 19 213
for direct flanging to VEGADIF, PN 100

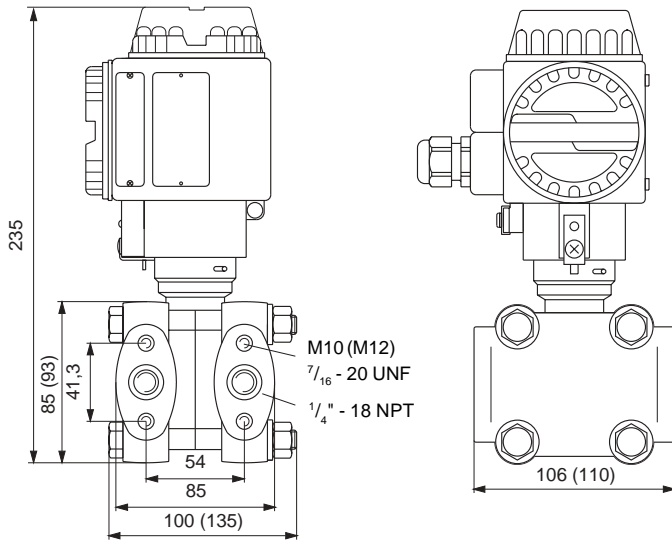
- C22.8 chromised 1.0460 Article no. 2.19542.....
- stainless steel 1.4571 Article no. 2.19545.....

Mounting accessory for valve block:

- screws $\frac{7}{16}$ UNF; C-steel Article no. 2.19543.....
- screws M10 x 55; C-steel Article no. 2.19544.....
- screws $\frac{7}{16}$ UNF; 1.4571 Article no. 2.23330.....
- screws M10 x 55; 1.4571 Article no. 2.21736.....

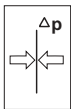
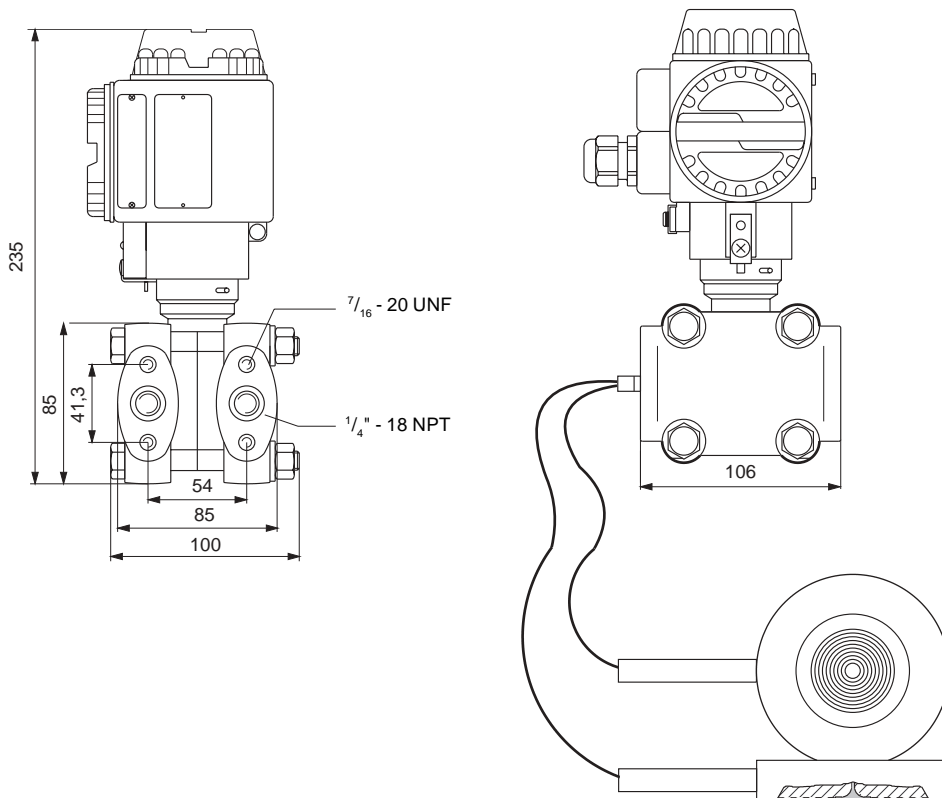


VEGADIF 35

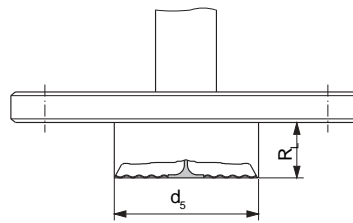
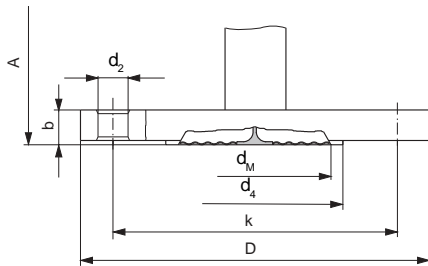
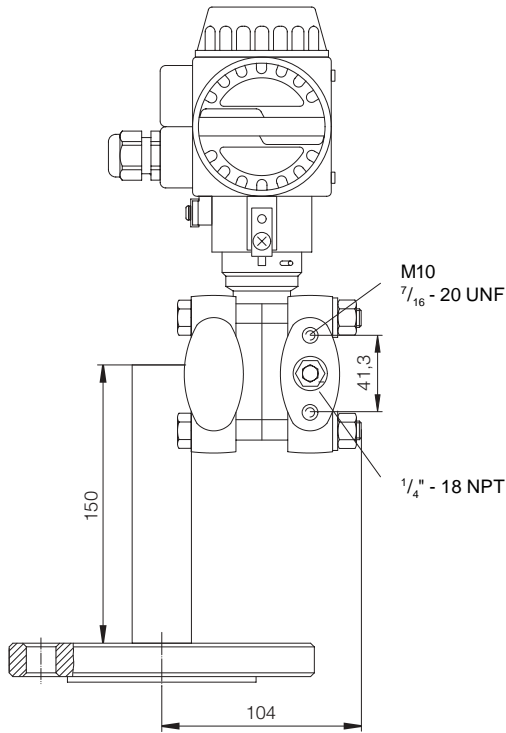


• The values in brackets relate to PN 420

VEGADIF 51



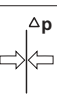
VEGADIF 45



- A = installation height
- D = outer flange diameter
- b = flange thickness
- k = diameter of hole circle
- d₂ = diameter of holes
- d₄ = seal ledge diameter
- d₅ = extension diameter
- R_L = extension length
- d_M = diaphragm diameter

Flange connection acc. to DIN 2501, seal ledge acc. to DIN 2526 Form D

Order code	Flange Size/Nom. pressure	D	b	d ₄	Graduat. circle k	Holes No.		Extension		Diaphragm ø d _M	Installation height A
						d ₂	ø d ₅	Length R _L			
B	DN 50/PN 40	165	20	102	125	4	18			46	360
C	DN 80/PN 40	200	24	138	160	8	22			70	360
D	DN 80/PN 40	200	24	138	160	8	22	76.5	50	70	360
E	DN 80/PN 40	200	24	138	160	8	22	76.5	100	70	360
F	DN 80/PN 40	200	24	138	160	8	22	76.5	200	70	360
G	DN 100/PN 40	235	26	162	190	8	26			70	360



Flange connection acc. to ANSI B 16.5

Order code	Flange Size/Nom. pressure	D	b	d ₄	Graduat. circle k	Holes No.		Seal ledge		Diaphragm d _M	Installation height A	
						d ₂	ø d ₅	Length R _L				
P	2"/150 psi	6 152	3/4 19.5	3 5/8 92	4 3/4 120.7	4	3/4 20			1 3/4 46	14.2 360	in mm
R	3"/150 psi	8 1/4 191	15/16 26	6 152.4	6 152.4	4	3/4 20			2 3/4 70	14.2 360	in mm
S	3"/150 psi	8 1/4 191	15/16 26	6 152.4	6 152.4	4	3/4 20	3 76.5	2 50.8	2 3/4 70	14.2 360	in mm
T	3"/150 psi	8 1/4 191	15/16 26	6 152.4	6 152.4	4	3/4 20	3 76.5	4 101.6	2 3/4 70	14.2 360	in mm
U	3"/150 psi	8 1/4 191	15/16 26	6 152.4	6 152.4	4	3/4 20	3 76.5	8 203.2	2 3/4 70	14.2 360	in mm
W	4"/300 psi	10 254	1 1/2 32	6 2/9 158	7 8/9 200.1	8	14/16 23			2 3/4 70	14.2 360	in mm

