

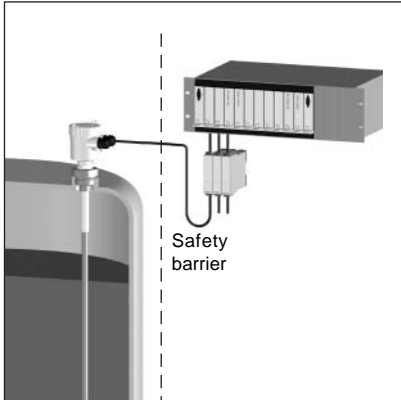
System components - Separating and protective instruments

Application examples	244
Separators	245
Overvoltage arresters	247
Dimensions	251



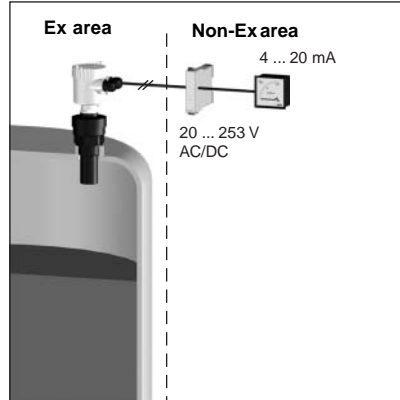
Application examples: System components - Separators

Safety barrier



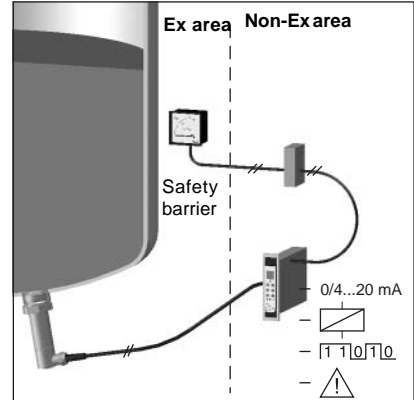
Electrode with safety barrier for individual signal conditioning instruments without own Ex approval

Ex separator



Ex separator VEGATRENN 149A Ex for intrinsically safe power supply of 4...20 mA sensors

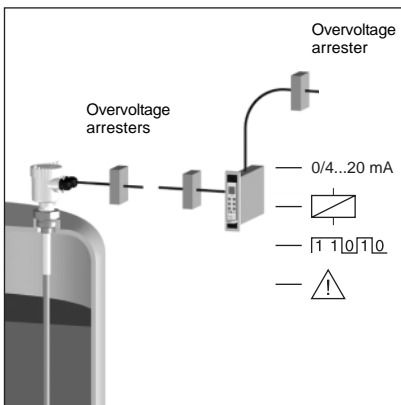
Safety barrier



Safety barrier for connection of an indicating instrument in Ex area

Application examples: Protective instruments

Overvoltage arresters

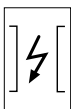


Overvoltage arresters in the connection cable to the sensor and in the power supply to the signal conditioning instrument

Screwed overvoltage arrester



Overvoltage protection for easy mounting in the free cable entry of the sensor



VEGATRENN 149A Ex

Ex-separator for 4...20 mA HART® sensors

For galvanically separated voltage supply of Ex approved 4...20 mA sensors.

- HART® transmissible on the output side
- sockets in the front for communication with the HART® sensor
- sockets suitable for connection of VEGACONNECT
- separate power supply
- SIL 2 qualified



Fastening : on carrier rail 35 x 7.5 acc. to EN 50022
Operating voltage : 20...253V AC/DC
Sensor voltage : 16.7 V at 20 mA
Output : 24 V, load 700 (450) Ohm



Approval
EX.X ATEX II (1) G D [EEx ia] IIC

TRENN149A

Galvanic isolated barrier Typ KFD0-CS-Ex1.51P

Ex separator in two-wire technology for 4...20 mA sensors

For galvanic separation between intrinsically safe and non-intrinsically safe circuits

- for intrinsically safe power supply as well as for signal transmission of Ex-approved sensors in hazardous areas in conjunction with signal conditioning instruments without own Ex approval
- no additional power supply required, loop-powered
- transmission range 4..20mA



Mounting : on carrier rail 35 x 7.5 acc. to EN 50022 or on carrier rail 32 acc. to EN 50035
Operating voltage : with > 24V voltage field circuit > 15V
Approval : ATEX II (1) GD [EEx ia] IIC

KFD0-CS-EX1.51P



Safety barrier type 9001

Safety barrier for intrinsically safe measuring current transmission in zone 1

Mounting : on carrier rail 35 x 7.5 acc. to
EN 50022 or on carrier rail 32 acc.
to EN 50035

Approval : II (1/2)G [EEx ia/ib] IIC / IIB

Nominal data : 6V, 73 Ohm



TREN9001



FS-LB-I

Overvoltage protection in two-wire technology for the measuring cable of 0/4...20 mA circuits

For protection of the measurement technology against impermissible high overvoltages

- also for intrinsically safe control circuits EEx ia IIC T6
- mounting directly in Ex area for protection of the field instruments
- easy mounting in the free cable entry on the field instrument

Characteristics values : 12...48V DC; max. 250 mA
 Ambient temperature : -30...70°C



Thread

- G** M20 Iso thread
- N** 1/2NPT-thread

↓
 ÜS-F-LB-I.

TP32-I

Overvoltage protection in two-wire technology for PROFIBUS PA and Foundation Fieldbus circuits.

- also for intrinsically safe control circuits EEx ia IIC T6
- mounting directly in Ex-area for protection of the field devices
- easy mounting in the free cable connection on the field device

Characteristics values : max. 32V DC
 Ambient temperature : -40...60°C



Thread

- G** M20 Iso thread
- N** 1/2NPT-thread

Fieldbus connection resistor

- X** without
- T** integrated

↓ ↓
 TP32-I.



B 62-36 G

Supply and control cable protection for all instruments with 12...36V DC

For protection of the measurement technology against impermissible high overvoltages

- protection for 2-wire transmitters
- also for intrinsically safe control circuits EEx ia IIC T6
- mounting directly in Ex area for protection of the field instruments

Characteristics values : 12...36V DC, max. 1 A
Ambient temperature : -20...60°C



Housing

- X** without/IP20
- GA** mounted into alu-housing/IP65
- GK** mounted into plastic housing / IP65



ÜSB62-36G.X

B 53-19

Overvoltage arrester for the measuring cable of conductive electrodes

For protection of the measurement technology against impermissible high overvoltages

- also for intrinsically safe control circuits EEx ia IIC T6
- mounting directly in Ex area for protection of the field instruments
- interruption-free operation

Characteristics value : max. 19V AC
Ambient temperature : -20...60°C



Housing

- X** without/IP20
- GA** mounted into alu-housing/IP65
- GK** mounted into plastic housing / IP65



ÜSB53-19.X



B 62-30 W

Supply and control cable protection for Profibus PA circuits

Suitable for connection to segment couplers, VEGALOG 571 EP and transmitters

- also suitable for ia circuits (overvoltage protection requires no own approval)
- fastening on carrier rail 35 x 7.5 acc. to EN 50022 or carrier rail 32 acc. to EN 50035
- interruption-free operation

Characteristics values : 9...36 VDC, max. 1 A
Ambient temperature : -20...60°C



Housing

- X without/IP20
- GA mounted into alu-housing/IP65
- GK mounted into plastic housing / IP65



ÜSB62-30W.X

B 61-75

Overvoltage protection of the supply and control cable in the range of 16...53V AC/16...75V DC

For protection of the measurement technology against impermissible high overvoltages

Characteristics values : 16...53V AC/16...75V DC, max. 2.5 A
Ambient temperature : -20...60°C

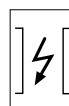


Housing

- X without/IP20
- GA mounted into alu-housing/IP65
- GK mounted into plastic housing / IP65



ÜSB61-75.X



B 61-300

Overvoltage protection of the supply and control cable with 110...300V AC/DC, max. 16 A

For protection of the measurement technology against impermissible
high overvoltages



Housing

- X without/IP20
- GA mounted into alu-housing/IP65
- GK mounted into plastic housing / IP65



ÜSB61-300.X

B 61-300 FI

Overvoltage protection of the supply and control cable with 110...300V AC/DC, max. 16 A

For protection of the measurement technology against impermissible
high overvoltages

- with leakage current circuit



Housing

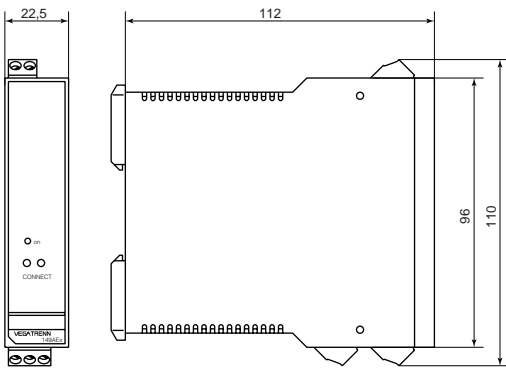
- X without/IP20
- GA mounted into alu-housing/IP65
- GK mounted into plastic housing / IP65



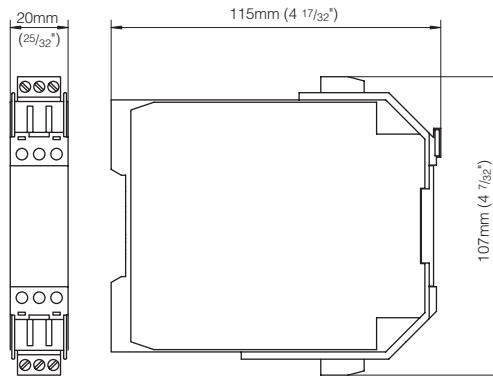
ÜSB61-300FI.X



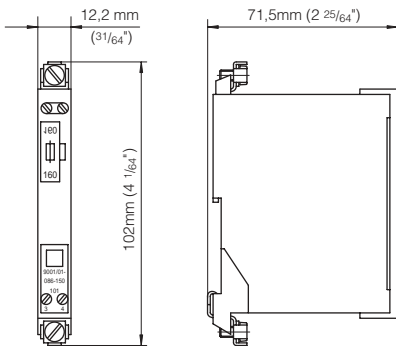
VEGATRENN 149A Ex



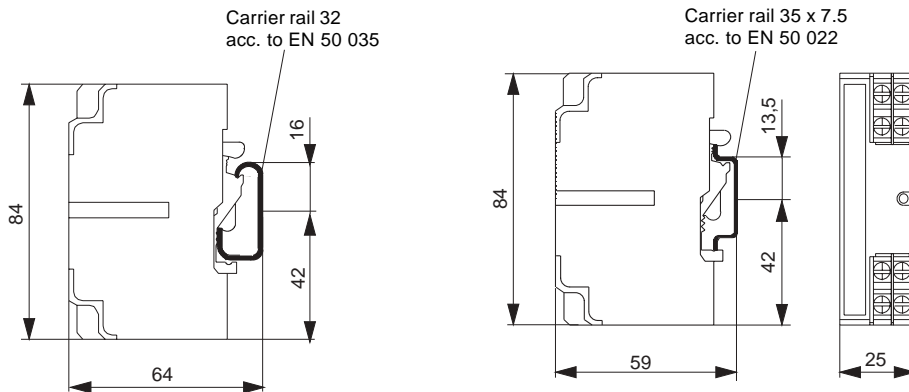
Separator KFDO-CS-Ex1.51P



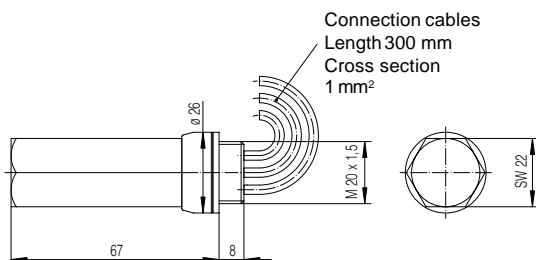
Safety barrier type 9001



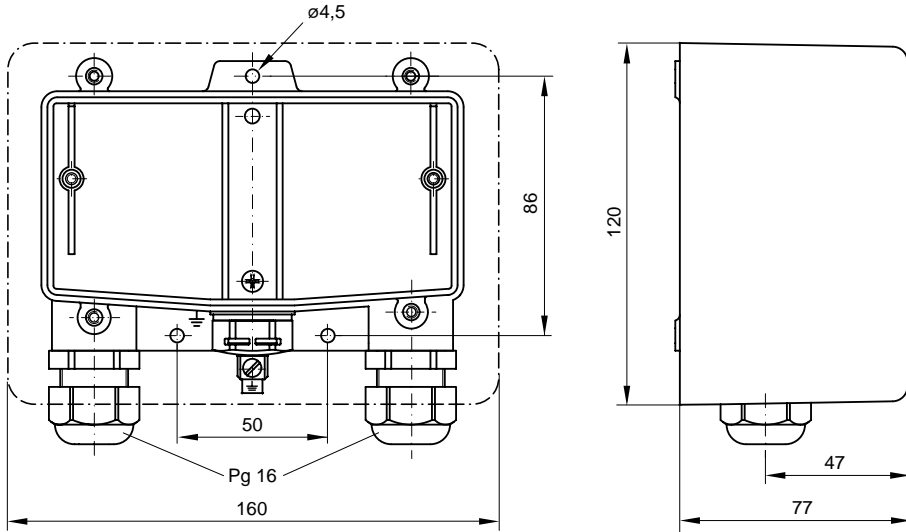
Overvoltage arrester type B...



Overvoltage arrester type FS-LB-I, TP32-I

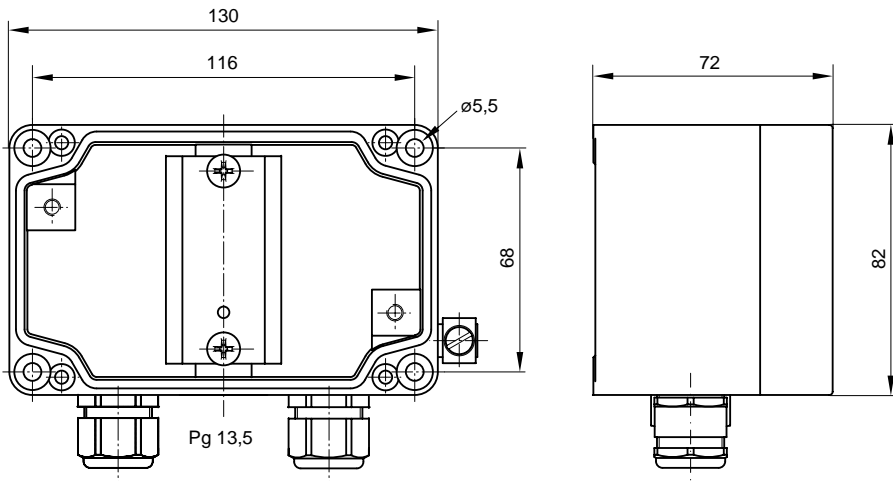


Plastic housing for overvoltage arrester



- for max. 2 overvoltage arresters, e.g. with VEGASON Ex, VEGAPULS Ex
- inclusive carrier rail and breather facility

Aluminium housing for overvoltage arrester



- for max. 2 overvoltage arresters, e.g. with VEGASON Ex, VEGAPULS Ex
- inclusive carrier rail and breather facility

