

Diaphragm Seals

Pulp and Paper Industry • Model 990.23

Diaphragm Seals

Service intended

Diaphragm seal to combine with bourdon tube pressure gauges. Suitable for corrosive, contaminated, hot or viscous pressure media.

Design

Body with extended diaphragm to fit DN 48 pulp and paper industry connection.

Process connection

Loose retainer flange, 6 bores 7 mm, diameter 70 mm PDC

Pressure rating

PN 25, 40

Suitable pressure ranges

0 ... 0.6 to 0 ... 40 bar



Standard features

Body and diaphragm extension

Stainless steel 316L

Diaphragm

Stainless steel 316L, welded with body

Diaphragm extension

6.5 mm

Retainer flange

Carbon steel, nickel plated

Instrument connection

Stainless steel 316L, G ½ female per EN 837-1 /7.3.5

optionally:

- Rigid L-bow 90°
- L-bow 90° swivelling to enable gauge orientation 180°
- L-bow 90° with integral vibration damper

Optional extras

Body and diaphragm extension

- Stainless steel 1.4571, 1.4435, 1.4541, Duplex 1.4462, Monel
- PFA coating max. +260 °C
- ECTFE (Halar®) coating max. +150 °C

Diaphragm

- Special materials same as body

Diaphragm extension

- Custom length extension available

Retainer flange

- Stainless steel 316L
- PN 40

Instrumentation connection

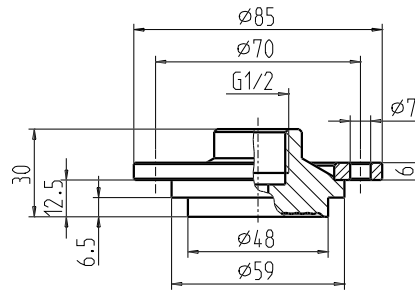
- Capillary extension welded with body and gauge adaptor G ½ female to fit surface mounting bracket
- Cooling tower for directly mounted gauge when medium temperature > +100 °C

Accessories

- Weld neck flange for installation of diaphragm seal to the process pipe
- Sealing ring, Buna rubber

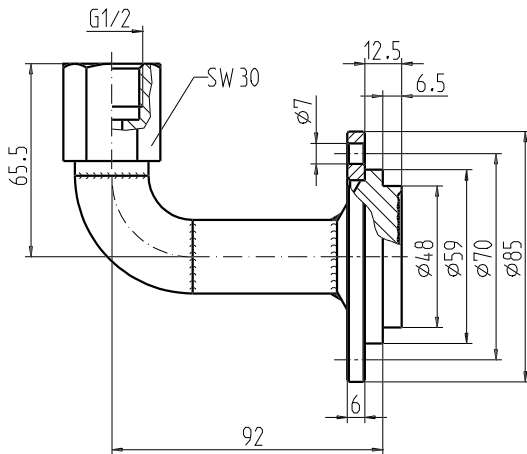
Dimensions

Standard version



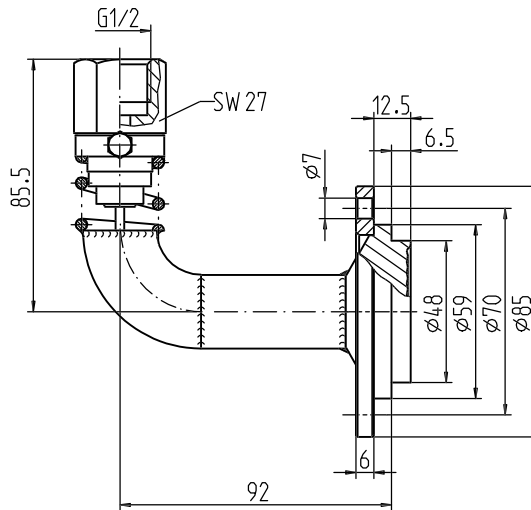
1036 904.02

Version with L-bow 90°



1036 912.02

Version with L-bow 90° and vibration damper (non for liquid filled gauges > NS 100!)



1036 920.02

Ordering information

Model / Size, pressure rating and applicable standard of connection / Material of wetted parts / Size of instrument connection / Filling liquid / Pressure instrument desired / Process conditions as per questionnaire / Optional extras required

Specifications and dimensions given in this leaflet represent the state of engineering at the time of printing. Modifications may take place and materials specified may be replaced by others without prior notice.



WIKA Alexander Wiegand GmbH & Co. KG
Alexander-Wiegand-Straße · 63911 Klingenberg
Tel.: (0 93 72) 132-0 · Fax: (0 93 72) 132-406
<http://www.wika.de> · E-mail: info@wika.de