

Differential Pressure Gauges with Electrical Output Signal Model A2G-15, air2guide P+E



WIKA Data Sheet PV 17.40

Applications

- For dry, clean, non-aggressive gases, usually air
- Fan and blower monitoring
- Differential pressure monitoring in filters
- Overpressure monitoring in cleanrooms
- For very low pressures

Special Features

- Simple mounting and dismounting
- New attractive design
- Two-part construction (measuring element and case)
- With additional electrical output signal
- Mechanical and electrical measuring instrument in identical design



**Differential Pressure Gauge air2guide P+E
Model A2G-15**

Description

Design

Per EN 837-3 and ventilation and air conditioning (VAC) regulations

Nominal size in mm

110

Accuracy class

3.0

Scale ranges

0 ... 250 Pa / 500 Pa / 750 Pa / 1000 Pa / 1500 Pa / 3000 Pa / 6000 Pa

Pressure limitation

Steady: full scale value

Fluctuating: full scale value

Overpressure safety

20 kPa

Max. working pressure (static pressure)

20 kPa

Operating temperature

Ambient: -30 ... +80 °C

Medium: -16 ... +50 °C

Storage: -30 ... +80 °C

Temperature effect

When the temperature of the measuring system deviates from the reference temperature (+20 °C):

max. ± 0.4 %/10 K of full scale value

Ingress protection

IP 54 per EN 60 529 / IEC 529

Standard version

Process connection

Plastic,
lower mount (LM) or back mount
G 1/8 (female) for hose connector
Hose connection inner diameter 4 or 6 mm

Standard accessories

- 3 fixing screws
- Compression fitting M12, plastic
- Straight or angled threaded pressure connection G 1/8 for inner diameter 4 or 6 mm

Diaphragm

Silicone

Movement

Contact-free transmission

Dial

Aluminium, scale angle 90°

Pointer and mark pointer

Plastic

Basic case and case for wall mounting

Plastic

Window

Makrolon

Case for panel mounting and mounting ring

Plastic

Electronics

Output signal

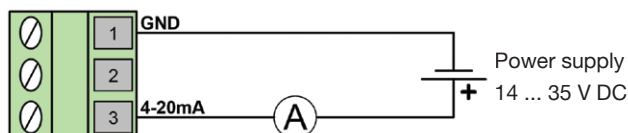
4 ... 20 mA, 2-wire or
0 ... 10 V, 3-wire

Power supply U_B

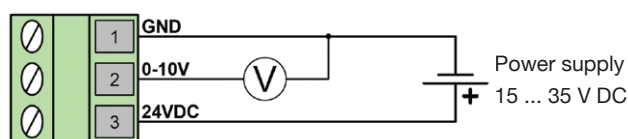
4 ... 20 mA, 2-wire: 14 ... 35 V DC
0 ... 10 V, 3-wire: 15 ... 35 V DC

Terminal configuration

■ Output signal 4 ... 20 mA, 2-wire



■ Output signal 0 ... 10 V, 3-wire



Permissible max. load

4 ... 20 mA, 2-wire: $R_A \leq (U_B - 15 \text{ V}) / 0.02 \text{ A}$ (max. 600 Ω)
0 ... 10 V, 3-wire: $R_A > 10 \text{ k}\Omega$

Isolation voltage

500 VDC

Electrical ingress protection

Overvoltage protection: max. 35 V DC
Short-circuit resistance: Sig + to $U_B -$
Reverse voltage protection: $U_B +$ to $U_B -$

CE Conformity

Pressure Equipment Directive: 97/23/EG
EMC-Directive: EN 61000-6-4 and EN 61000-6-2

Relative humidity

45 ... 90 % rF, non-condensing

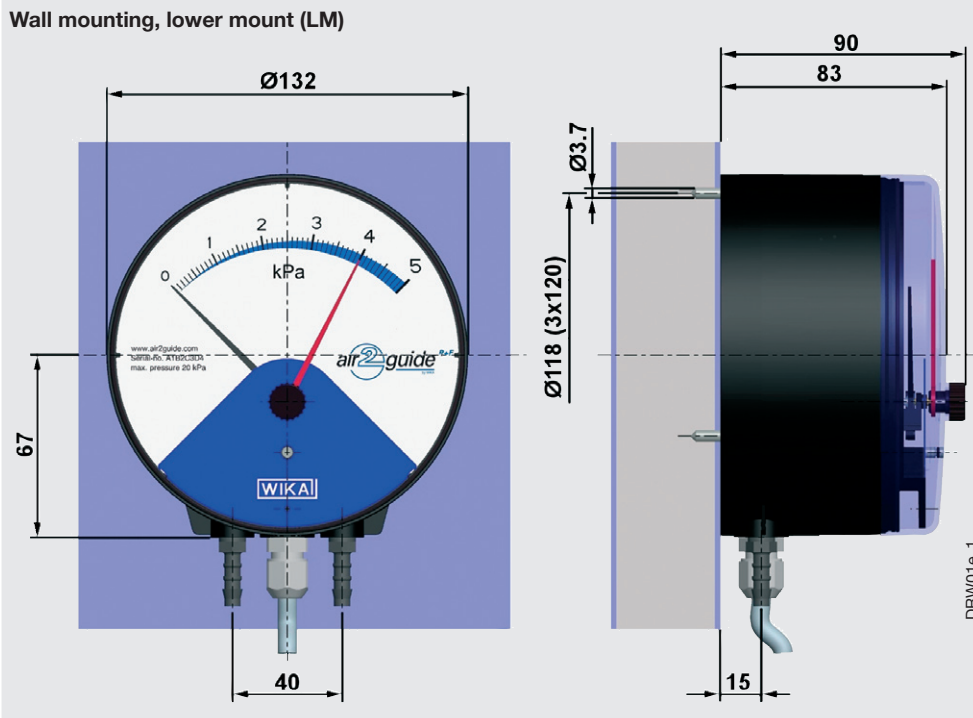
Options

- Ingress protection IP 64
- Internationally recognised traceable calibration certificate
- Measuring hose inner diameter 4 or 6 mm, in lengths between 1 and 3 m

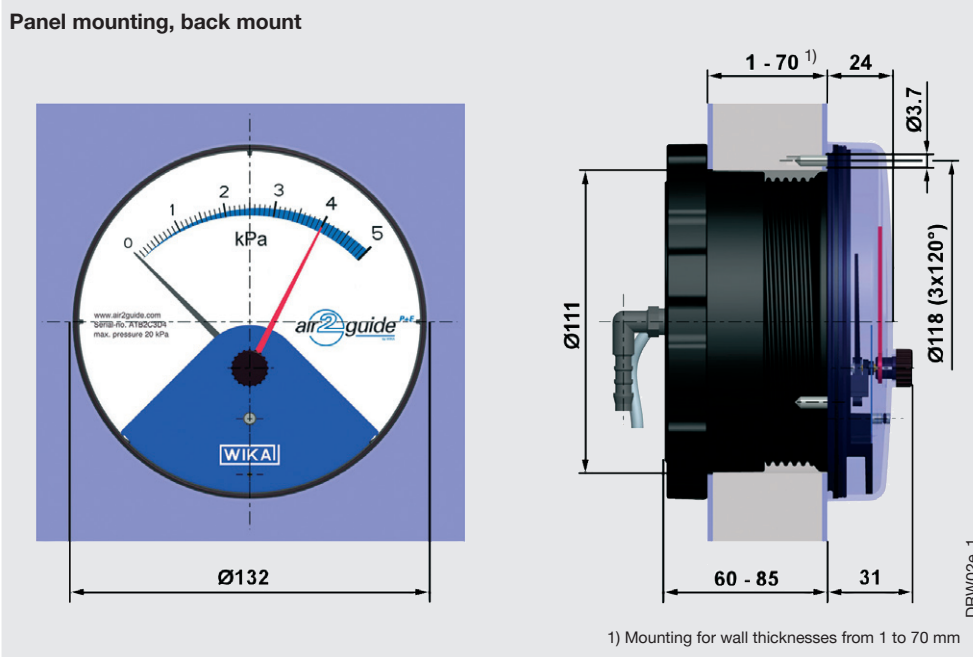
Dimensions in mm

Standard version

Wall mounting, lower mount (LM)



Panel mounting, back mount



1) Mounting for wall thicknesses from 1 to 70 mm

Ordering information

Model / Connection location / Wall mounting or panel mounting / Scale range / Options

Modifications may take place and materials specified may be replaced by others without prior notice.
Specifications and dimensions given in this leaflet represent the state of engineering at the time of printing.



WIKAL Alexander Wiegand GmbH & Co. KG
Alexander-Wiegand-Straße 30
63911 Klingenberg/Germany
Tel. (+49) 9372/132-0
Fax (+49) 9372/132-406
E-mail info@wika.de
www.wika.de