

Bourdon Tube Pressure Gauges

Test Gauge Series, Class 0.1 • Model 342.11

Pressure Gauges

Service intended

Pressure gauge calibration and laboratory measurement.
Suitable for all gaseous and liquid media that will not obstruct the pressure system.

Design

EN 837-1
includes attache case and point-to-point calibration certificate

Nominal size

250 mm

Accuracy class per EN 837-1 /6

0.1

Scale ranges per EN 837-1 /5

0 ... 1.0 to 0 ... 1600 bar
or other equivalent units of pressure or vacuum.

Calibrating medium

≤ 25 bar: gas
> 25 bar: oil

Working pressure

Steady: full scale value
Fluctuating: 0.9 x full scale value

Operating temperature

Ambient: -20 ... +60 °C
Medium: +100 °C maximum

Temperature effect

When temperature of the pressure element deviates from reference temperature (+20 °C):
max. ±0.1%/10 K of true scale value

Ingress protection

IP 54 per EN 60 529 / IEC 529

Standard features

Pressure connection

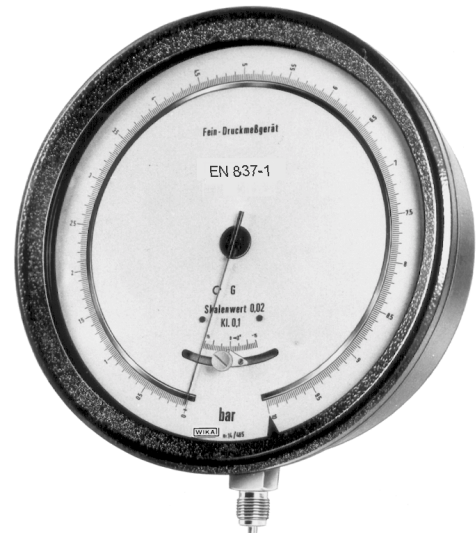
Material: stainless steel
Lower mount (LM) per EN 837-1 /7.3
G ½ B (male), 22 mm flats

Pressure element

Material: Ni-Fe alloy (Ni-Span C)
< 100 bar: C-type
≥ 100 bar: helical type

Movement

Cu-alloy, wear parts argentan



Model 342.11

Dial

330° mirror band scale aluminium white with black lettering.
Zero adjustment by rotatable dial ± 15°

Pointer

Black aluminium, knife edge pointer

Case

aluminium casting with integral flange
black-silver hammer enamel finish

Window

Green tinted non-reflecting plastic window

Bezel ring

screw-retained aluminium flange ring,
black-silver hammer enamel finish

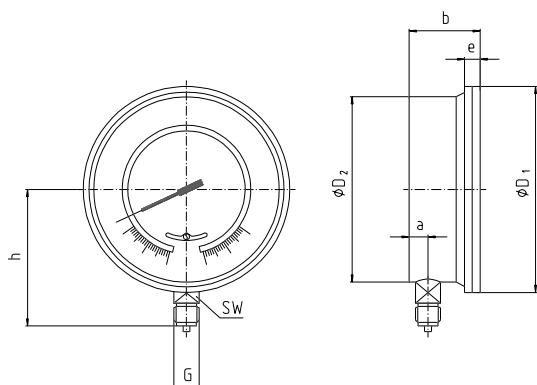
Optional extras

- Other pressure connection
- Calibration on oil with ranges ≥ 4 bar
- 3-hole surface mounting flange
- flush panel mounting with clamp
- service booklet including voucher, for 3 calibration check-ups
- Capsule pressure gauges for low pressures from 0 ... 6 mbar
(model 612.11, see data sheet PM 06.04)

Dimensions

Standard version

Radial bottom pressure entry (LM)



1034 650

Model	Dimensions [mm]									Weight [kg]
	a	b	D	D ₁	D ₂	e	G	h ± 1	SW	
342.11	22	78	-	277	250	16.5	G ½ B	165	22	6.00

Standard pressure entry with parallel thread and seating to EN 837-1 / 7.3.

Ordering information

State:

Pressure gauge model / Nominal size / Scale range / Size and location of connection / Optional extras required

Specifications and dimensions given in this leaflet represent the state of engineering at the time of printing. Modifications may take place and materials specified may be replaced by others without prior notice.



WIKAI Alexander Wiegand GmbH & Co. KG
 Alexander-Wiegand-Straße · 63911 Klingenberg
 Tel.: (0 93 72) 132-0 · Fax: (0 93 72) 132-406
<http://www.wika.de> · E-mail: info@wika.de