

Bimetal Thermometers

Process Industry Series • Model 55

Thermometers

Service intended

All stainless steel thermometer. Suitable for corrosive media and environments in chemical process, petroleum and food industry. The instruments meet the highest standards of measurement technique.

Nominal size

63, 100 and 160 mm

Temperature element

Coiled bimetal

Accuracy

Class 1 per DIN EN 13 190

Working range

Permanent (1 year): measuring range per DIN EN 13 190

Short time (24 h max.): scale range per DIN EN 13 190

Pressure rating of stem

25 bar maximum

Nominal use

DIN EN 13 190

Ingress protection

IP 56 / IP 65 per EN 60 529 / IEC 529

IP 65 per EN 60 529 / IEC 529 for gauges with alarm contacts

Standard features

Location of stem

Centre back or radial bottom

Case material

Stainless steel

Bezel

Cam ring (bayonet type) bezel, natural finish stainless steel

Connection

G ½ B, stainless steel 1.4571

Stem

8 mm diameter, stainless steel 1.4571

Dial

White aluminium with black lettering per DIN EN 13 190

Pointer

Adjustable black aluminium pointer

Window

Instrument glass

Optional extras

- Case and stem with liquid damping (250 °C max.)
- Ingress protection IP 66 (not for gauges with alarm contacts)
- Scale °F, K; dual scale °C/°F
- Radial connection other than bottom
- Window of laminated safety glass or non-splintering plastic
- Stem 6, 10 or 12 mm diameter
- Plain stem or thread other than G ½ B
- Thermowells per DIN 43 772 or to user specifications
- Alarm contacts (see data sheet AC 08.01) with NS 100, 160 mm



Scale, measuring ranges¹⁾, limits of error per DIN EN 13 190, class 1

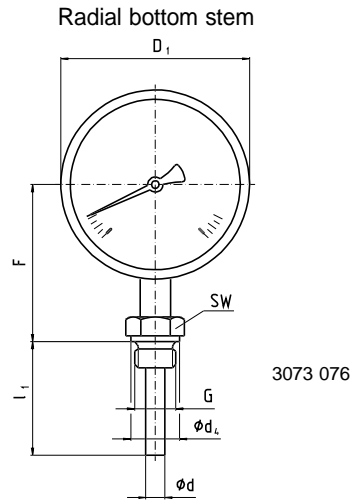
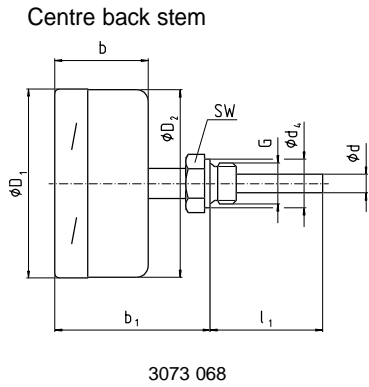
Scale range °C	Scale spacing °C	Measuring range ¹⁾ °C	Limit of error °C
- 70 ... + 30	1	- 60 ... + 20	1
- 50 ... + 50		- 40 ... + 40	
- 30 ... + 50		- 20 ... + 40	
- 20 ... + 60		- 10 ... + 50	
0 ... 60	2	+ 10 ... + 50	2
0 ... 80		+ 10 ... + 70	
0 ... 100		+ 10 ... + 90	
0 ... 120		+ 10 ... + 110	
0 ... 160	5	+ 20 ... + 140	2.5
0 ... 200		+ 20 ... + 180	
0 ... 250		+ 30 ... + 220	
0 ... 300		+ 30 ... + 270	
0 ... 400	10	+ 50 ... + 350	5
0 ... 500		+ 50 ... + 450	
0 ... 600		+ 100 ... + 500	

Models

Model	Nominal size	Location of stem
A 5525	63	Centre back
R 5526	63	Radial bottom
A 5500	100	Centre back
A 5501	160	
R 5502	100	Radial bottom
R 5503	160	

1) The measuring range is indicated on the dial by two triangular marks. Within this range the stated limit of error is valid according to DIN EN 13 190

Dimensions



Nominal size	Dimensions in mm															Weight in kg
	alarm contacts of model								d	d ₄	D ₁	D ₂	F	G	SW	
	without		811 or 831		831.11		831.22									
b	b ₁	b	b ₁	b	b ₁	b	b ₁	d	d ₄	D ₁	D ₂	F	G	SW		
63	35	60	-						8 ¹⁾	26	64	62	57	G ½ B	27	0.250
100	50	83	88	121	-		88	121			101	99	83			0.800
160			100	133	115	148	115	148			161	159	113			1.100

1) Option: stem diameter 6, 10, 12 mm

Design of connection

Standard connection

Male thread G ½ B, G ¾ B, ½ NPT or ¾ NPT
 Length of stem l₁ = 63, 100, 160, 200 or 250 mm
 Stainless steel 1.4571

Connection 1

Plain stem
 Length of stem l = 140, 200, 240 or 290 mm
 Stainless steel 1.4571
 To fit compression fitting of connection 4

Connection 2

Male nut G ½ B
 Length of stem l₁ = 80, 140, 180 or 230 mm
 Stainless steel 1.4571

Connection 3

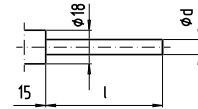
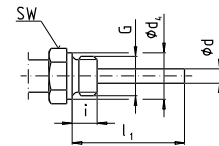
- Union nut G ½, G ¾ or M 24 x 1.5
 Length of stem l₁ = 89, 126, 186, 226 or 276 mm
 Stainless steel 1.4571

Connection 4

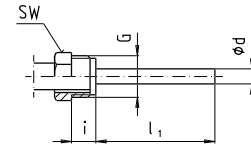
Compression fitting (sliding on stem)
 G ½ B, G ¾ B, M 18 x 1.5, ½ NPT or ¾ NPT
 Minimum insertion l_{min} approx. 60 mm
 Length of stem l₁ = variable
 Length L = l₁ + 40 mm
 Stainless steel 1.4571

Dimensions in mm

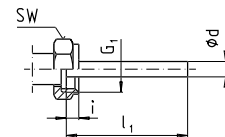
Male thread G	SW	d ₄	i
G ½ B	27	26	14
G ¾ B	32	32	16
½ NPT	22	-	19
¾ NPT	30	-	20



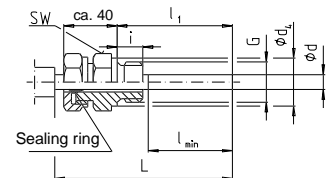
Male thread G	SW	i
G ½ B	27	20



Female thread G ₁	SW	i
G ½	27	8.5
G ¾	32	10.5
M 24 x 1.5	32	13.5



Male thread G	SW	d ₄	i
G ½ B	27	26	14
G ¾ B	32	32	16
M 18 x 1.5	24	23	12
½ NPT	22	-	19
¾ NPT	30	-	20



3073 050.01

Ordering information

Model / Nominal size / Scale range / Location of stem / No. and size of connection / Length of stem l, l₁ / Optional extras required

Specifications and dimensions given in this leaflet represent the state of engineering at the time of printing.
 Modifications may take place and materials specified may be replaced by others without prior notice.



WIKA Alexander Wiegand GmbH & Co. KG
 Alexander-Wiegand-Straße · 63911 Klingenberg
 Tel.: (0 93 72) 132-0 · Fax: (0 93 72) 132-406
<http://www.wika.de> · E-mail: info@wika.de