

Bourdon Tube Pressure Gauge Model 111.10, Radial Pressure Entry Standard Series

WIKA Data Sheet PM 01.01

Applications

- Suitable for all gaseous and liquid media that will not obstruct the pressure system or attack copper alloy parts
- Pneumatics
- Heating, ventilation, air-conditioning
- Medical engineering

Special Features

- Reliable and economical
- Design EN 837-1
- Nominal sizes 40, 50, 63, 80, 100 and 160
- Scale ranges up to 0...400 bar

Description

Design

EN 837-1

Nominal size

40, 50, 63, 80, 100 and 160 mm

Accuracy class

2.5

Scale ranges

0 ... 0.6 to 0 ... 400 bar (max. 40 bar with 160 mm)
or other equivalent units of pressure or vacuum.

Working pressure

Steady: $\frac{3}{4}$ of full scale value
Fluctuating: $\frac{2}{3}$ of full scale value
Short time: full scale value

Operating Temperature

Ambient: -40 ... +60 °C
Medium: +60 °C maximum

Temperature effect

When temperature of the pressure element deviates from reference temperature (+20 °C):
max. ± 0.4 %/10 K of the span.



Bourdon Tube Pressure Gauge Model 111.10

Pressure connection

Material: Cu-alloy
Lower mount (LM) per EN 837-1 /7.3
40 mm: G $\frac{1}{8}$ B, 14 mm flats
50 and 63 mm: G $\frac{1}{4}$ B, 14 mm flats
80, 100 and 160 mm: G $\frac{1}{2}$ B, 22 mm flats

Pressure element

Material: Cu-alloy
 ≤ 40 bar: C-type
 > 40 bar: helical type

Movement

Cu-alloy

Dial

40, 50 and 63 mm: white plastic, with pointer stop pin
80, 100 and 160 mm: white aluminium, with pointer stop pin with black lettering
Measuring ranges 0 ... 0.6 to 0 ... 60 bar with red set pointer

Pointer

Black plastic
160 mm only: black aluminium

Case

Black plastic

160 mm only: black finish steel

Window

Crystal-clear plastic, snap-fit

160 mm only: instrument glass

Bezel ring

Without bezel

160 mm only: black finish steel

Optional extras

- Accuracy class 1.6
- Other pressure connection
- Black finish steel case (40 mm, 50 mm, 63 mm with pressure vent)
- 3-hole surface mounting flange (not 40 mm and 50 mm)

Special versions

For closed central heating

63 and 80 mm

with red mark pointer and adjustable green sector

Scale range 0 ... 4 bar, red mark at 2.5 or 3 bar

For domestic central heating

80, 100 and 160 mm, accuracy class 2.5

Scale ranges 0 ... 0.6 or 0 ... 1 bar with retard scale spacing and red mark pointer

Refrigerant gauges

63 and 80 mm

Featuring scales in °C for refrigerants R 12, R 22, R 502, R 404 a or R 134 a

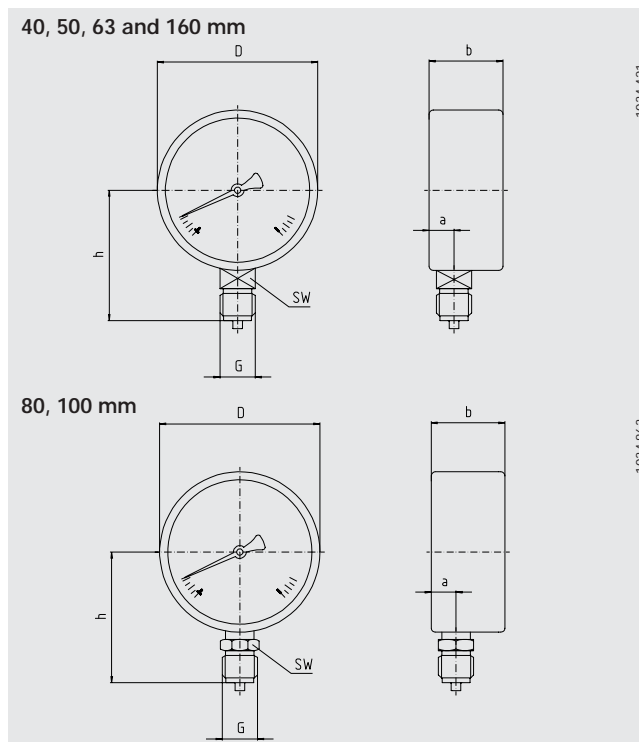
For water-level-indicator and central heating

80, 100 and 160 mm

Scale ranges 0 ... 0.6 to 0 ... 40 bar with 2nd scale of mWS (metres of water)

Dimensions

Standard versions



NS	Dimensions in mm						Weight in kg
	a	b ± 0.5	D	G	h ± 1	SW	
40	9.5	26	39	G 1/8 B	36	14	0.08
50	9.5	27.5	49	G 1/4 B	45	14	0.10
63	9.5	27.5	62	G 1/4 B	53.5	14	0.13
80	11.5	30	79	G 1/2 B	72	22	0.18
100	11.5	30	99	G 1/2 B	83.5	22	0.21
160	15.5	41.5	160	G 1/2 B	115.5	22	0.85

Standard pressure entry with parallel thread and sealing to EN 837-1 / 7.3

Ordering information

Pressure gauge model / Nominal size / Scale range / Size of connection / Optional extras required

Specifications and dimensions given in this leaflet represent the state of engineering at the time of printing. Modifications may take place and materials specified may be replaced by others without prior notice.



WIKAL Alexander Wiegand GmbH & Co. KG
Alexander-Wiegand-Straße 30
63911 Klingenberg/Germany
Telefon (+49) 93 72/132-0
Telefax (+49) 93 72/132-406
E-Mail info@wika.de
www.wika.de