

# Air velocity transmitter Model A2G-20

WIKA data sheet SP 69.06



## Applications

- For measuring air velocity and temperature in gaseous media of
  - heating,
  - ventilation and
  - air-conditioning systems (e.g. fresh air/exhaust air ducts)
- Designed for locking on to control and display systems

## Special features

- Simple mounting
- High reliability
- Three measuring ranges for air velocity settable at the instrument via jumpers
- Two output signals in one instrument
- Incl. mounting flange

## Description

### Design

EMC directive: 2004/108/EC  
 RoHS directive: 2002/95/EC  
 Low voltage directive: 2006/95/EC  
 WEEE directive: 2002/96/EC

### Measuring ranges

Air velocity:  
 Measuring range 0 ... 2 m/s, 0 ... 10 m/s and 0 ... 20 m/s  
 (settable at the instrument via jumpers)  
 Temperature: 0 ... 50 °C

### Accuracy

Air velocity:  
 Measuring range 0 ... 2 m/s: < 0.1 m/s +5 % of measured value  
 Measuring range 0 ... 10 m/s: < 0.5 m/s +5 % of measured value  
 Measuring range 0 ... 20 m/s: < 1.0 m/s +5 % of measured value  
 Temperature:  
 < 0.5 °C (v > 0.5 m/s)



Air velocity transmitter model A2G-20

### Operating temperature

Ambient: 0 ... +50 °C  
 Storage: -20 ... +70 °C  
 Operation: 0 ... +50 °C, max. 85 % rH

### Ingress protection

IP 54 per EN 60529 / IEC 529

## Standard version

### Measuring element

Pt1000 and NTC10k

### Case

Plastic (ABS)

### Electrical connection

Cable gland M16

Screw terminals, max. 1.5 mm<sup>2</sup>

### Output signal

Air velocity:

0 ... 10 V (linear to m/s), load min. 1 kOhm or

4 ... 20 mA (linear to m/s), load max. 400 Ohm

Temperature:

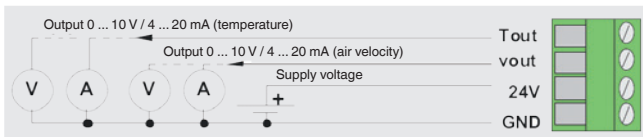
0 ... 10 V (linear to °C), load min. 1 kOhm or

4 ... 20 mA (linear to °C), load max. 400 Ohm

### Supply voltage

AC/DC 24 V ±10 %

## Connection diagram

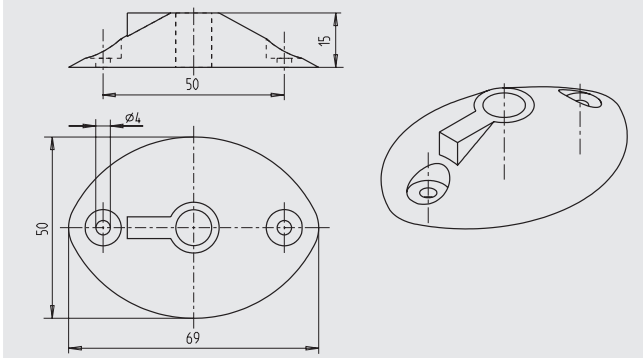


### Type of mounting

Duct installation

### Standard accessories

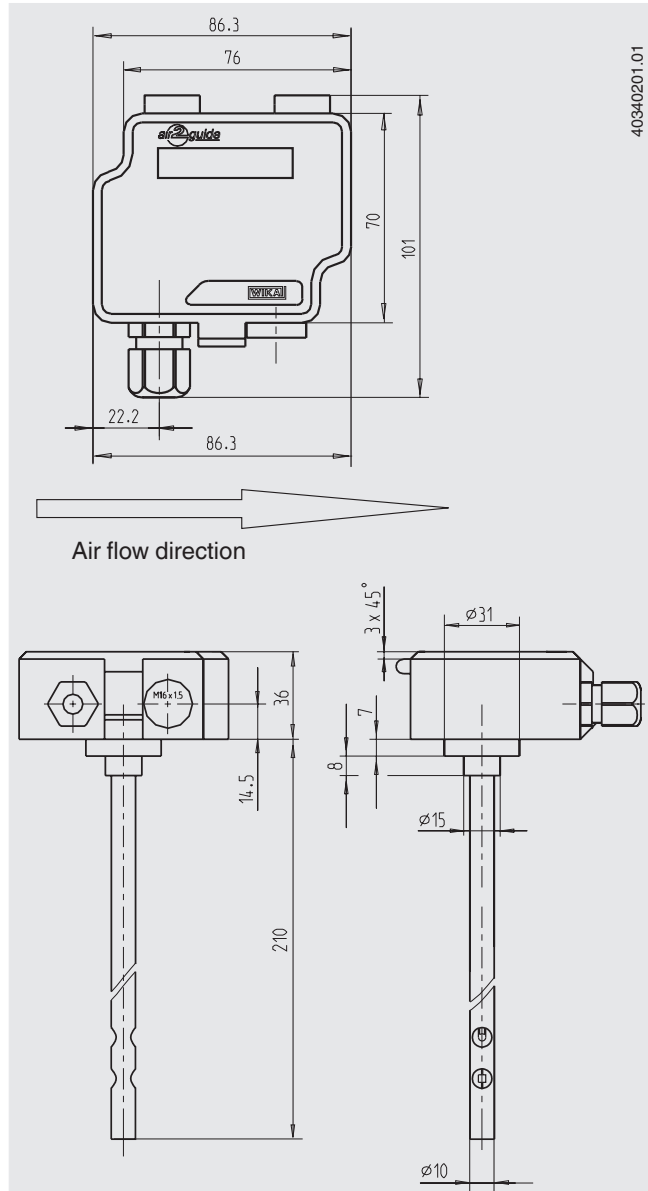
#### Mounting flange



## Options

- LC display for measured value display
- LC display for measured value display and relay (potential-free, change-over contact, max. AC 250 V, 6 A, DC 30 V, 6 A, adjustable switch point and hysteresis)

## Dimensions in mm



### Ordering information

Model / Options

© 2011 WIKA Alexander Wiegand SE & Co. KG, all rights reserved.

The specifications given in this document represent the state of engineering at the time of publishing.

We reserve the right to make modifications to the specifications and materials.



**WIKAI Alexander Wiegand SE & Co. KG**

Alexander-Wiegand-Straße 30

63911 Klingenberg/Germany

Tel. (+49) 9372/132-0

Fax (+49) 9372/132-406

E-mail info@wika.de

www.wika.de