



PRESSURE SWITCH RT SERIES



- WIDE ADJUSTABLE RANGE
- ADJUSTABLE ON-OFF DIFFERENTIAL
- STURDY SNAP ACTION SWITCH
- REPEATABILITY $\pm 1\%$
- WEATHERPROOF HOUSING

RT Series of **Pressure Switches** utilise seamless bellows as the sensing element. Simplicity of design and ease of installation has been stressed for reliable use, even in applications where shock and vibrations are present. The sensing element can be used for a variety of process fluids.

For corrosive media, viscous fluids and slurries, RT pressure switches perform well in conjunction with diaphragm type chemical seals.

RT series switches have an excellent record backed by our responsive manufacturing facility. Special application assistance is always available.

Applications include pumps, compressors, filters, evaporators, heat exchangers, lubrication systems, hydraulic systems, marine equipment, heating and air conditioning equipment, turbines, generators, circuit-breakers etc..



ORDERING MATRIX

MODELS / RANGES

Type	Code No.		Range (atmg)	Adjustable ^① Differential (atmg)	Max. Test Pressure (atmg)	
	'PB' Bellows	'SB' Bellows			'PB'	'SB'
RT-1 ^②	17-5298	17-5299	(-)0.8 to 5	0.5 to 2	15	25
RT-121	17-5219	17-5215	(-)1 to 0	0.09 to 0.4	7	7
RT-113 ^③	17-5196 (Diaphragm)		0 to 300 cm wc	10 to 50 cm wc	0.5	0.5
RT-112	17-5194	17-5191	0.1 to 1.1	0.07 to 0.16	7	7
RT-110	17-5296	17-5297	0.2 to 3	0.12 to 0.75	7	7
RT-200 ^②	17-5242	17-5237	0.2 to 6	0.25 to 1.2	15	25
RT-116 ^②	17-5213	17-5203	1 to 10	0.3 to 1.3	16	25
RT-5 ^②	17-5256	17-5255	4 to 17	1.2 to 4	25	25
RT-117	---	17-5295	10 to 30	1 to 4	×	45
RT-18 ^②	---	17-5270	2 to 17	0.3 to 2	×	25

- ① Adjustable Differential values differ when microswitch type S or D is used. Consult factory for applicable values.
- ② RT-1, RT-5, RT-18, RT-116 & RT-200 types can be supplied with 316SS Bellows and wetted parts. Consult factory for availability.
- ③ For RT-113 Sensing Element is Nitrile Diaphragm
4. Process Connection : 3/8" BSPM-Std. Use adaptors for other connections.

ORDERING MATRIX Contd...

A SENSING ELEMENT

Code	Material
PB	PB Bellows with brass wetted Parts – Std.
SB	304 SS Bellows with brass wetted parts
SS4	304 SS Bellows with 304 SS wetted parts
SS6	316 SS Bellows with 316 SS wetted parts available for types RT-1, RT-5, RT-8, RT-116 & RT-200 only. Consult sales for lead time.

B SWITCH ELEMENT

NONE	ONE SPDT – 15A Res. 4A Ind. 250 VAC, 12W 220 VDC – Std.
S	ONE SPDT Microswitch – 15A Res. 250 VAC DC Rating : 0.5A 110V / 0.25A 220V / 8A 24V – Res 0.2A 110V / 0.10A 220V / 7A 24V – Ind
D	DPDT Microswitch, 10A 125 / 250 VAC, 2A 480 VAC, 0.25A 250 VDC

C HOUSING

NONE	DMC housing, weatherproof to IP:66 as per IS:13947 (Part-1), 1993 – Std.
ADC	Die cast Aluminium housing, weatherproof to IP:66 as per IS:13947 (Part-1), 1993

D ACCESSORIES

AD	Adaptor for different process connections in Brass, 304 SS or 316 SS (Add suffix 'B' for Brass, 'S' for SS)
BC	Blind cover – Refer note 4
BD	Blow-out-disc
CGB	1/2" NPTM Nickel plated Brass cable gland
CGN	1/2" NPTM Nylon cable gland.
CSD	Diaphragm type chemical seal — available for all ranges except in RT-1, RT-121 and 113 (Compound, Vacuum and WC ranges)
FR	3/8" BSP(F) × 1/4" Flare Reducer
PC	7-pin plug-in connector / 3-pin plug-in connector
SC	Optional Seal Cap for locked setting (adjustable knob Std.)
SN	Pressure Snubber
TG	Identification Tagging
X2NV	2 Way Needle Valve
X2VM	2 Valve Manifold

NOTES

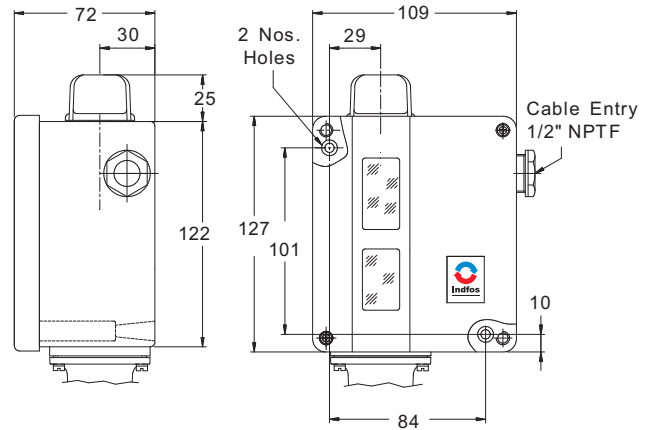
1. Max Process Temperature: 70°C for code PB & SB; 170°C for code SS4 & SS6.
2. RT-117 available only with SS Bellows and Brass wetted parts.
3. Maximum ambient temperature 70°C.
4. Window cover is Std. Blind cover is optional. (code BC)
5. Select Model Number from Codes shown below :

Model Number to be ordered as Type-A-B-C-D

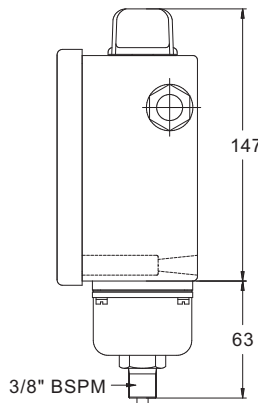
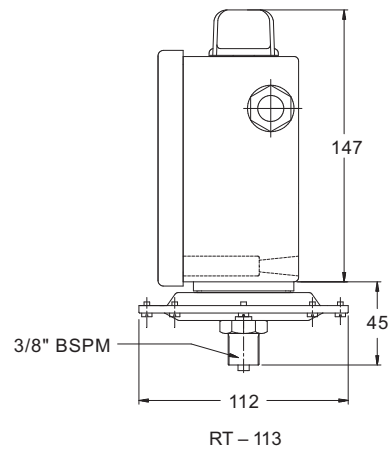
Type	Sensing Element	Switch Element	Housing	Accessories
	A	B	C	D

MOUNTING DIMENSIONS

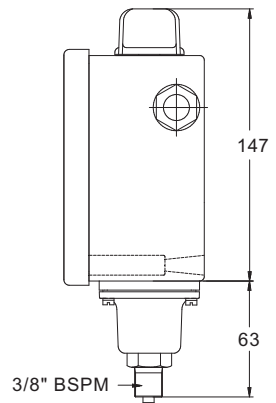
Housing only



With Pressure Elements



RT - 112
RT - 121



RT - 1
RT - 110
RT - 200
RT - 116
RT - 5
RT - 18
RT - 117

All dimensions are in mm

This is not a contractual document. Prior notification of changes in specifications is impracticable due to continuous improvement



Indfos Industries Limited

Regd. Off : Adwave Towers, II Floor, 17, Dr. Sevalia Sivaji Road
T.Nagar, Chennai 600 017

www.indfos.com

WORKS

1. B20, Industrial Area, Site 3, Meerut Road, Ghaziabad (UP) 201 003
Ph : 0120-2712016 / 2712134 Fax : 0120-2712023 E-mail : sales@indfos.com
2. 86, Thirupoor Kumaran Street, Athipet, Ambattur, Chennai 600 058

SALES	E-MAIL	PHONE	FAX
Chennai	chennai@indfos.com	044-2435 3407	044-2431 1760
Delhi	delhi@indfos.com	011-2589 7296	011-4228 3295
Kolkata	kolkata@indfos.com	033-2486 6761	033-2486 6761
Mumbai	mumbai@indfos.com	022-2565 6936	022-2569 1237