

Attachable Indicator

for pressure transmitters with output 4 ... 20 mA

LCD-display, 4 -digit • Model 907.15.507

Ex-model , LCD-display, 4 -digit • Model A-IAI-1

TRONIC LINE

- Display range -1999 ... +9999
- Attachable to pressure transmitter by means of L-plug according to DIN 43 650 and output 4 ... 20 mA
- Fully adjustable on site without master instrument
- Weather protection IP 65
- Efficient microprocessor
- Excellent price/performance ratio
- Easy and user-friendly operation
- CE-conformity

Description

The new attachable indicator model 907.15.507 provides an ideal solution for a local readout with simultaneous signal transmission.

Due to its universal programmability and simple mounting it is possible to retrofit the attachable indicator even to pressure transducers which are already in use. No additional power supply is required.

The indicating range can be adjusted by means of flush-mounted keys below the front cover. The operator is guided through all steps of the program required by a logically arranged menu with simple characters on the LCD display.

Damping of the readout is possible in three steps ensuring precise readability of the indicating value in case of pulsation or if pressure peaks are occurring.

Any programmable parameters are stored in an EEPROM and are preserved in the event of a power failure.

The **Ex-model A-IAI** attachable indicator has been developed for hazardous areas applications requiring certified intrinsic safety of class EEx ib IIC T4 to CENELEC/DIN/BASEFA standards. The **Ex**-attachable indicator can be combined with the **Ex**-pressure transmitter model 892.X3.5XX and with the **Ex**-line transmitter model 903.30.700 to enable the use in intrinsic areas of zone 1.

The attachable indicator is provided with an integrated self-diagnosis circuit monitoring the perfect function of the essential parts of the indicator continuously. The integrated self-diagnosis together with error messages for sensor rupture and upper or lower deviation to the range ensure a high operating safety.

The sturdy and compact plastic case meets the requirements of weather protection according to IP 65, making the instrument ideally suited for a great variety of industrial applications.



Supplementary data sheet:

- Standard pressure transmitter
Ex-pressure transmitter
(refer to data sheet PE 81.01)
- ECO-TRONIC
(refer to data sheet PE 81.14)
- Power supply unit for intrinsic safety
(refer to data sheet PE 82.06)

Model 891.X3.5XX
Model 892.X3.5XX

ECO-TRONIC

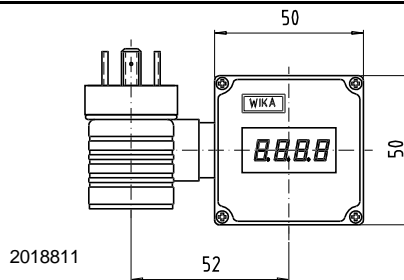
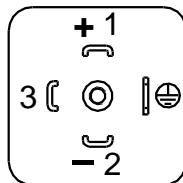
Model 903.30.700

Specifications		Model 907.15.507; Model A-IAI-1	
Display	- Principle - Range - Accuracy		4-digit, LCD 10 mm high figures -1999 ... +9999 ± 0.2 of span ± 1 digit
Pick-up rate		%	5 measurements, damping in 3 steps selectable
Error message		1/s	FE1: exceeded range FE2: below range
Scale adjustment			menu driven, start and end of measuring range as well decimal point can be universally set by means of keys below the front cover
Electrical connection			to pressure transmitter with 4 ... 20 mA output and L-plug according to DIN 43 650, polarity-free mounting
Power supply		V	not required, because the attachable indicator is supplied by the 4 ... 20 mA-loop
Voltage drop			3
Max. current rating		mA	60
CE - conformity			tested according to EN 50 081-1 and EN 50 082-2
Permissible temperature for ambient storage		$^{\circ}\text{C}$ ($^{\circ}\text{F}$)	0 ... +50 (+32 ... +122) {extended ambient temperature range on request}
Temperature influence on the display		$^{\circ}\text{C}$ ($^{\circ}\text{F}$)	-30 ... +80 (-22 ... +176)
Weather protection		%	0.1/10K
Permissible relative humidity of air		%	IP 65 per EN 60 529/IEC 529
Ex-protection			model A-IAI-1
Ex-certification			EEx ib IIC T4
Conformity specifications:			
power supply		DC	9 ... 28 V
short circuit rating		mA	100
power limitation		mW	800
ambient temperature		$^{\circ}\text{C}$	-20 ... +60
			refer to certificate of conformity PTB Nr. Ex-97.D.2250 for additional data
Case material			ABS, front window made of polycarbonate
Weight		g	approx. 80
Dimensions			see drawings
Scope of delivery			attachable indicator, blue profile packing, fastening-screw, manual

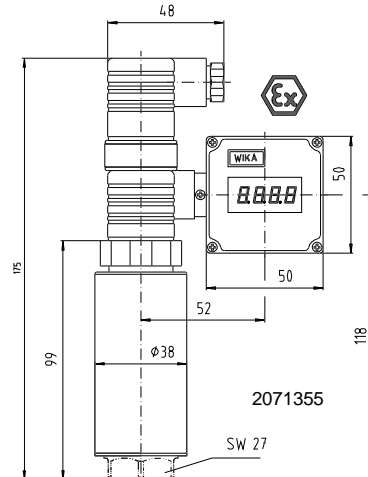
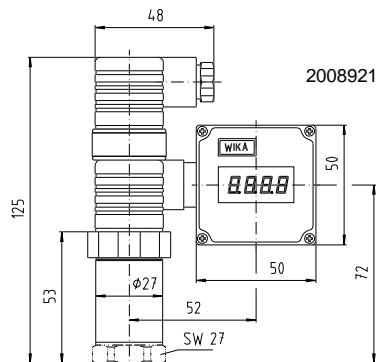
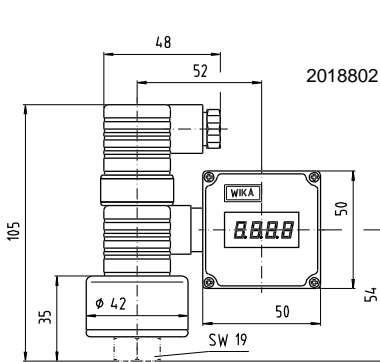
Items in curved brackets { } are optional extras for additional price.

Wiring / Dimensions in mm

Pin assignment of
4-pin L-plug
according to DIN 43 650



Attachable indicator with ECO-TRONIC, standard pressure transmitter, resp. Ex-pressure transmitter



Specifications and dimensions given in this leaflet represent the state of engineering at the time of printing. Modifications may take place and materials specified may be replaced by others without prior notice.



WIKA Alexander Wiegand GmbH & Co.
Alexander-Wiegand-Straße · 63911 Klingenberg
(0 9372) 132-0 · Fax (0 9372) 132-406/414
<http://www.wika.de> · E-mail: info@wika.de